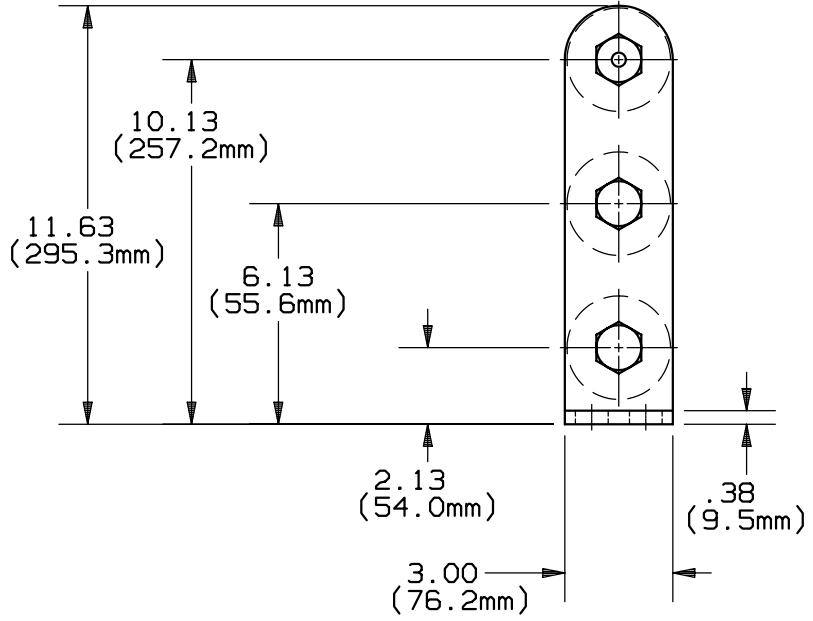
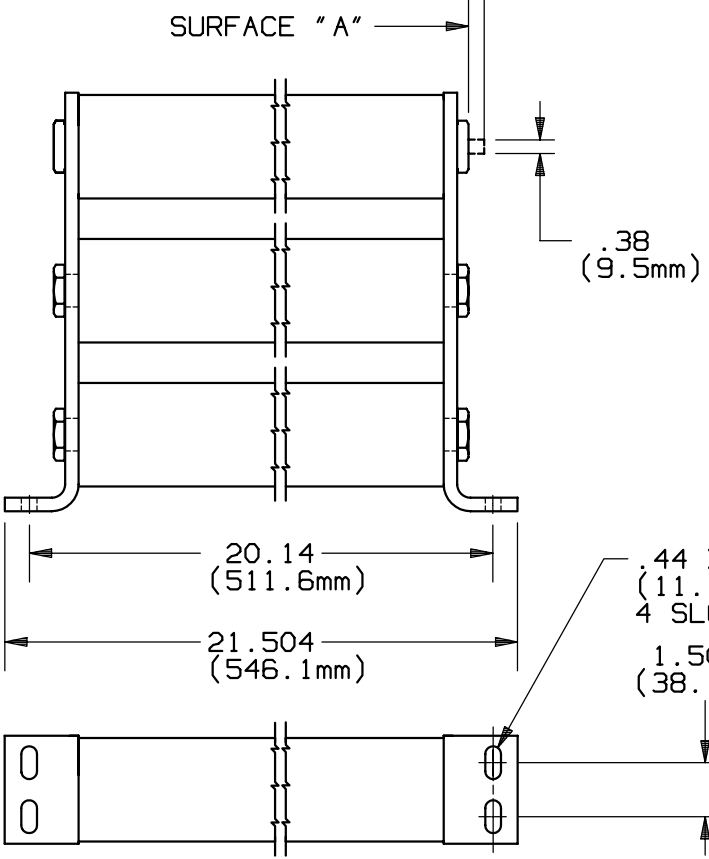


REV	DATE	ECO	DESCRIPTION	BY	CK	APP
-	8/16/04	NA	INITIAL RELEASE	LAS	NA	NA

INDICATOR FLUSH WITH SURFACE "A" BEFORE FUSE OPENS.
 INDICATOR EXTENDS .50in. (12.7mm) AFTER FUSE OPENS
 INDICATOR EXERTS 2 lbs FORCE AT END OF TRAVEL



RATING	CATALOG NO.
57X	A072B3DBRO-57X
48X	A072B3DBRO-48X

MERSEN MERSEN USA NEWBURYPORT-MA, LLC
 374 MERRIMAC STREET
 NEWBURYPORT, MA 01950

PRODUCT MANAGER	DESIGN ENGINEER
SIGN:	SIGN:
DATE:	DATE:

MEDIUM VOLTAGE AMP-TRAP
 R-RATED MOTOR CIRCUIT BACKUP
 CURRENT LIMITING FUSE
 BOLT-IN SERIES
 48X-57X 7.2kV MAX

OUTLINE DIMENSIONS
 NOT TO BE USED FOR PRODUCTION

701080