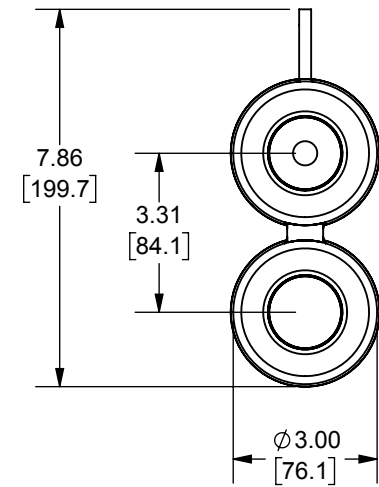
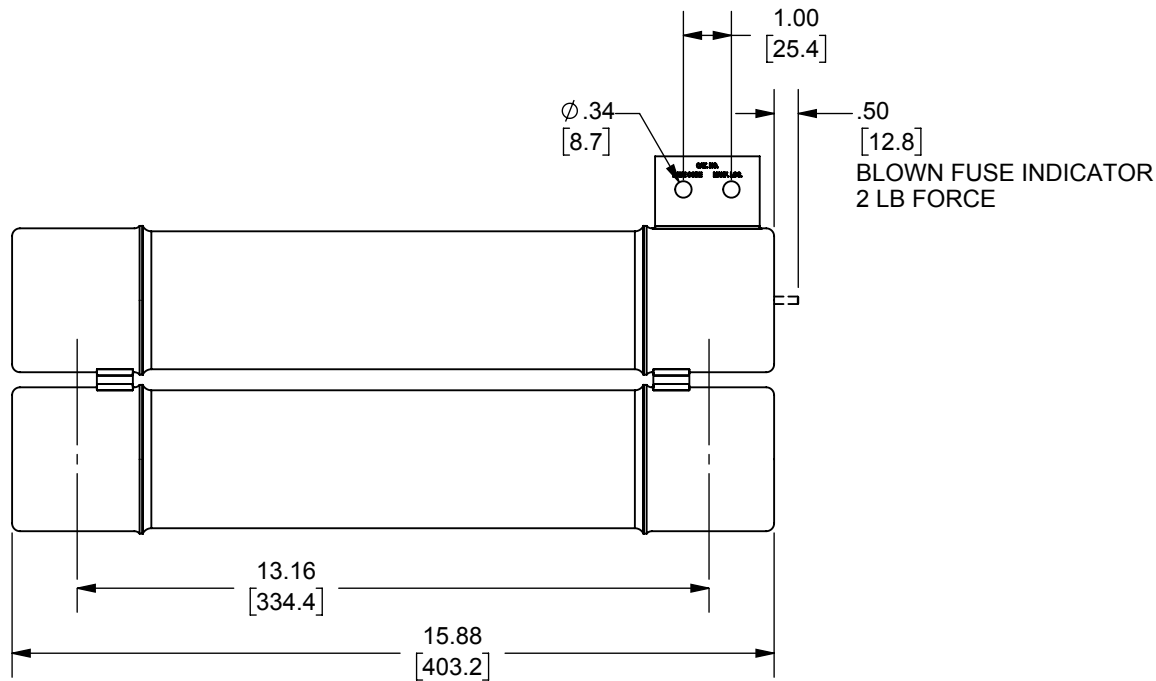


REV.	DATE	ECO	DESCRIPTION	BY	CK	APP
-	5/31/19	N/A	INITIAL RELEASE		N/A	N/A



DIMENSIONS IN [] ARE MILLIMETERS



MERSEN USA NEWBURYPORT-MA, LLC
374 MERRIMAC STREET
NEWBURYPORT, MA 01950

PRODUCT MANAGER

SIGN:

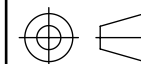
DATE:

DESIGN ENGINEER

SIGN:

DATE:

MEDIUM VOLTAGE
R-RATED TYPE HE
A051F2DHR0-(18R & 24R)
18R & 24R 5.08kV



OUTLINE DIMENSIONS
NOT TO BE USED FOR
PRODUCTION

702254