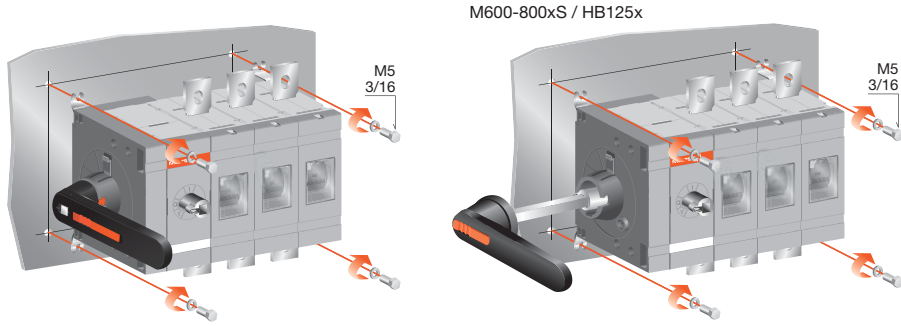
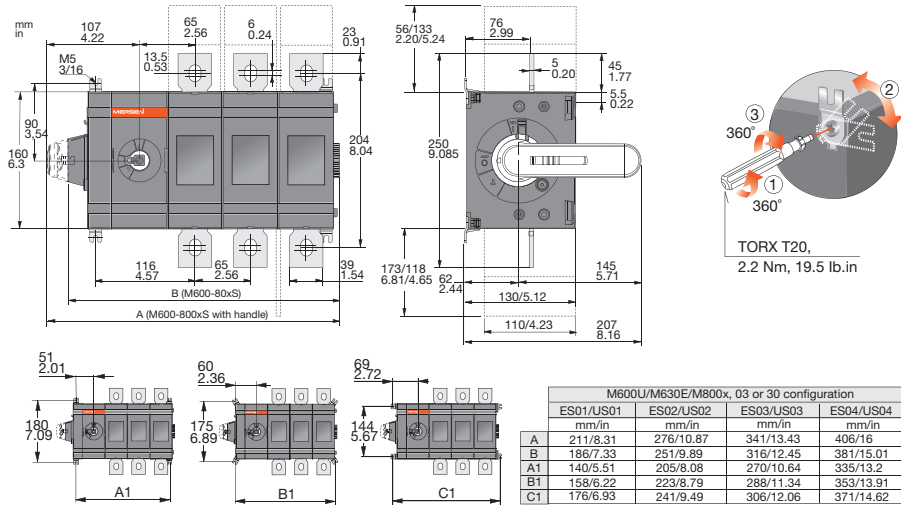


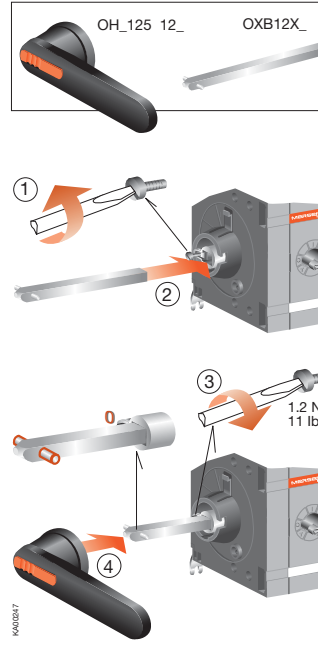
M600-800xS Non-Fused



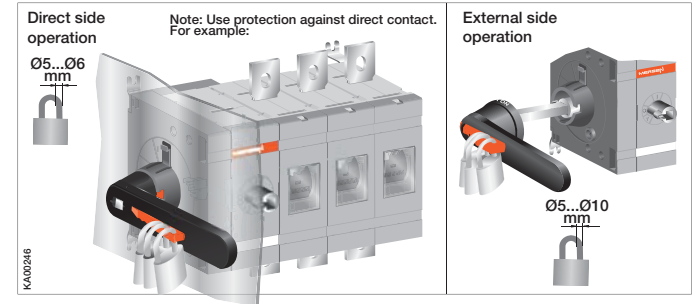
M600-800xS / HB125x



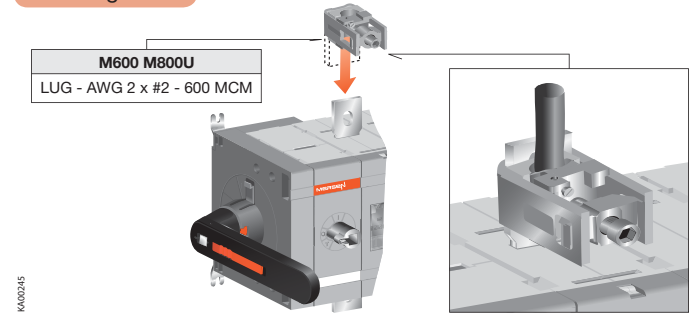
External Handle mounting



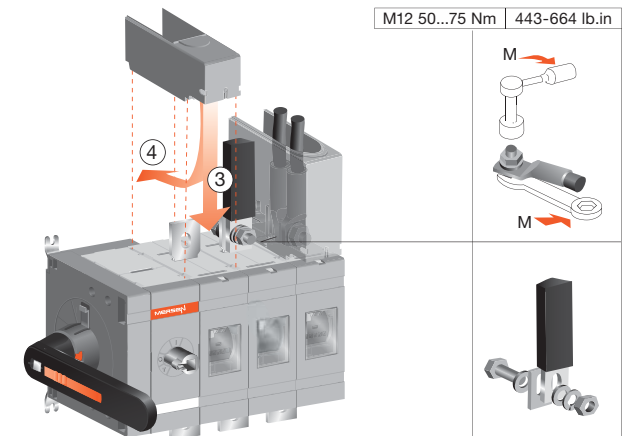
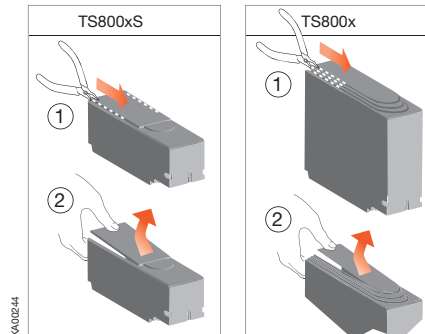
Handles



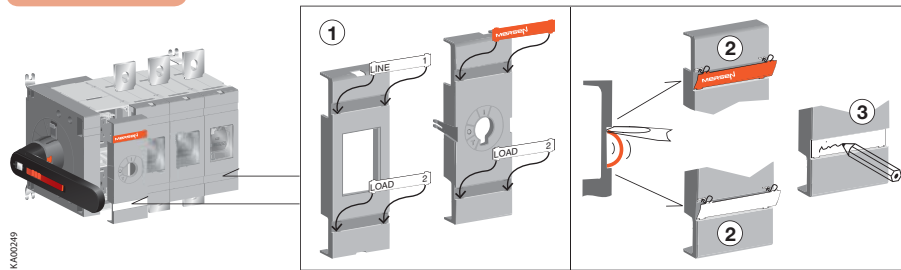
Lugs



Terminal shrouds



Label

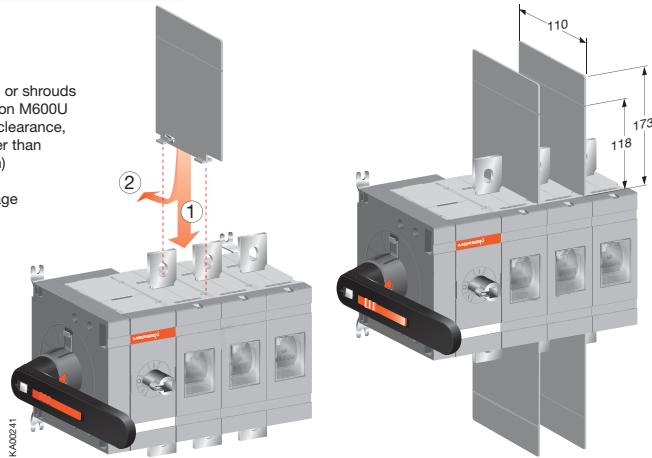


M600-800xS Non-Fused

Barriers/Phase separators

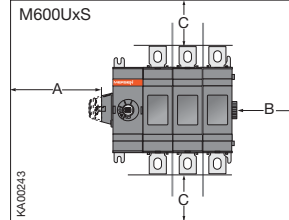
Barriers 68838 or shrouds must be used on M600U to maintain 1" clearance, if lugs are wider than 39 mm (1.54 in)

Type for package of 6 barriers is PS800.



Clearances per UL98

Minimum enclosure size or equivalent volume



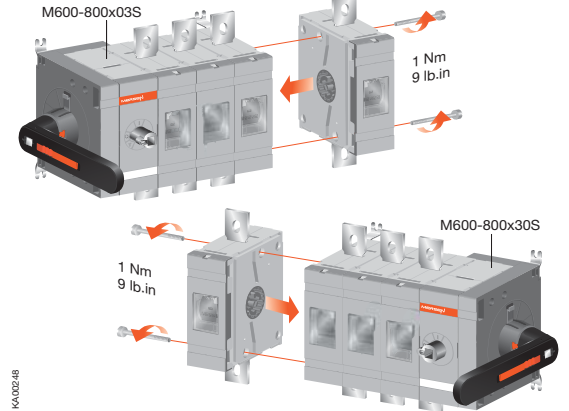
Current	575 A	600 A
Height mm/in	610	600
Width mm/in	508	700
Depth mm/in	254	300

A	0
B	13 mm/0.5 in
D	13 mm/0.5 in

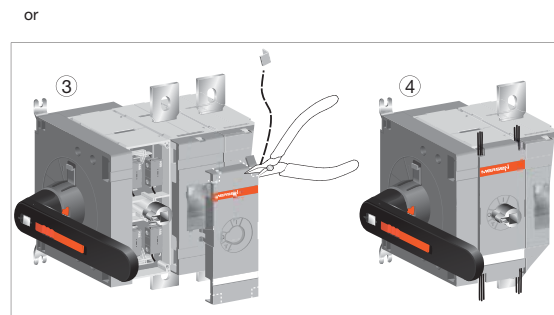
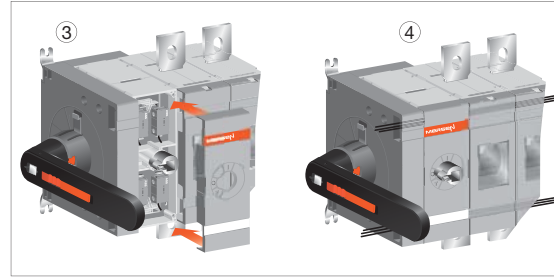
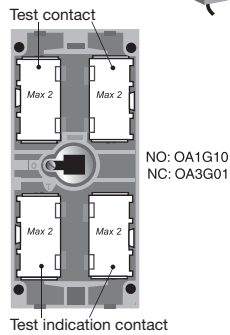
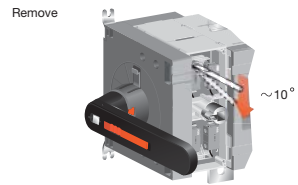
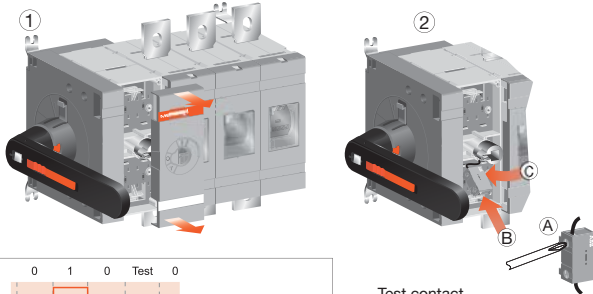
Cable size	
AWG	C
2	100 mm/4 in
1	100 mm/4 in
1/0	125 mm/5 in
2/0	150 mm/6 in
3/0 - 4/0	175 mm/7 in

Cable size	
MCM	C
250	200 mm/8 in
300	250 mm/10 in
350	300 mm/12 in
400	330 mm/13 in
500	356 mm/14 in
600	381 mm/15 in

4Px800 Neutral pole



Internally mounted Auxiliary contacts



Externally mounted Auxiliary contacts

Note: Only for configurations with gearbox on the right side.

