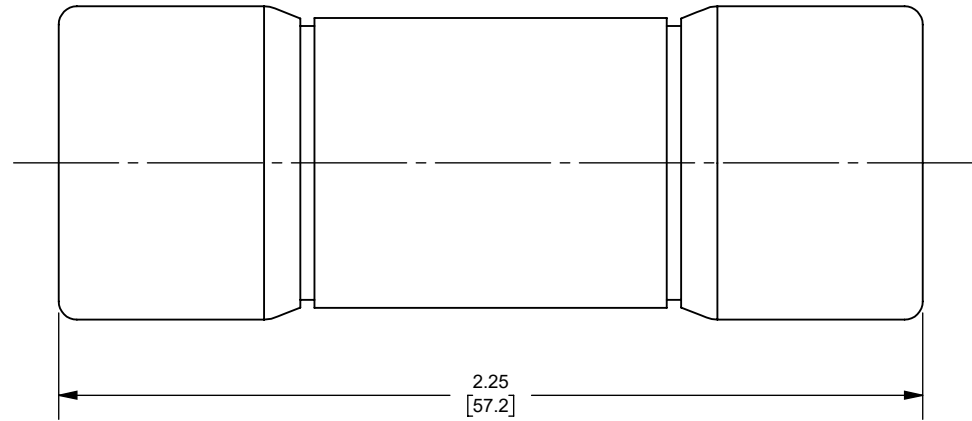
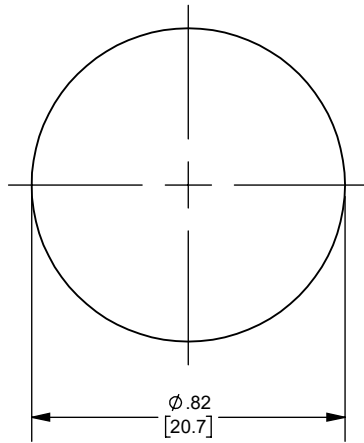


REV.	DATE	ECO	DESCRIPTION	BY	CK	APP
E	3/13/2020	N/A	REMOVED AJT(1-7); ADDED AJT(1-30)N IN TITLE BLOCK	GDR	N/A	N/A
F	3/1/2022	16704	UPDATED TITLE BLOCK AND VOLTAGE CHART	ABT	YF	SEE ECO



<i>Approval stage / Etat d'approbation:</i> APPROUVÉ POUR FABRICATION / APPROVED FOR MANUFACTURING		Product Class: / Product Type: CLASS J TIME DELAY	
		Product amp rating: / Voltage rating: SEE TABLE	
<i>Initial ECO / ECO intiale:</i> ECO-16704-000		Title / Titre: <h1>OUTLINE</h1>	
<i>Draw by / Dessiné par:</i> Alma Balcazar		Date : 3/2/2022	
<i>Checked by / Vérifié par:</i> Yadyra Fang		Date : 3/2/2022	
		Drawing / de dessin: 17934	
Electrical Power 374 MERRIMAC STREET NEWBURYPORT, MA 01950		Éch / Scale : 2:1 Format / Size : A	
		Part / Article: 17934	
		Page : 1/1	
		Weight : Masse :	
		Rev : F Rév :	

8-12 A	600VAC/500VDC	AJT
1-12 A	600VAC/500VDC	AJTN
15-30 A	700VAC/400VDC	AJT
15-30 A	700VAC/400VDC	AJTN
RATING	VOLTAGE	CATALOG NUMBER

Ce plan strictement confidentiel est la propriété exclusive de la société MERSEN sans l'autorisation écrite de laquelle il ne peut être ni reproduit, ni copié, ni communiqué à des tiers.
 This drawing and specifications there on is property of MERSEN and shall not be reproduced or copied or used in whole or in part as the base for manufacture or sale of item without written permission.