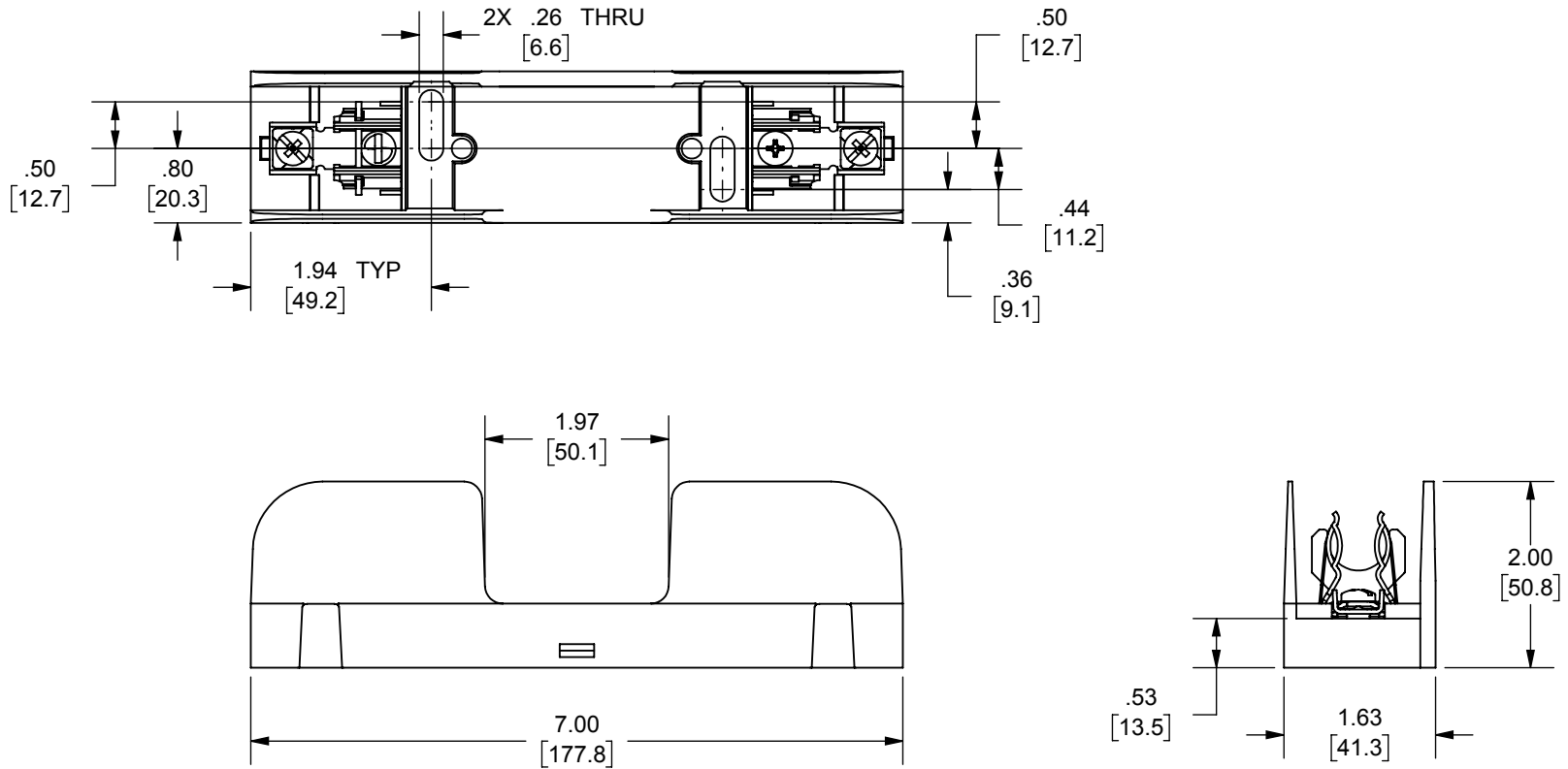


| REV. | DATE | ECO | DESCRIPTION | BY | CK | APP |
|------|----------|-----|-----------------|-----|-----|-----|
| - | 07/16/18 | N/A | INITIAL RELEASE | GDR | N/A | N/A |



DIMENSIONS IN [] ARE MILLIMETERS



MERSEN USA NEWBURYPORT-MA, LLC
 374 MERRIMAC STREET
 NEWBURYPORT, MA 01950

PRODUCT MANAGER
 SIGN: D.VANGARI
 DATE: 7/17/18

DESIGN ENGINEER
 SIGN: R.BURGE
 DATE: 7/16/18

60326R
 R FUSE BLOCK 1 POLE
 30A 600V

OUTLINE DIMENSIONS
 NOT TO BE USED FOR PRODUCTION

702234
 SHEET 1 OF 1