

High-Speed Class J Fuses

Advanced protection for
drives and soft-starters

Standard Fuse Ampere Ratings, Catalog Numbers

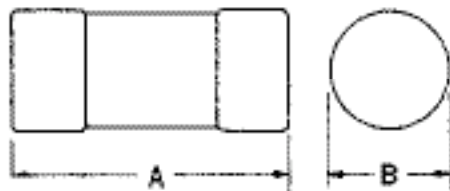
| AMPERE RATING | CATALOG NUMBER | OUTLINE FIG. | AMPERE RATING | CATALOG NUMBER | OUTLINE FIG. |
|---------------|----------------|--------------|---------------|----------------|--------------|
| 15 | HSJ15 | 1 | 100 | HSJ100 | 2 |
| 17.5 | HSJ17.5 | 1 | 110 | HSJ110 | 2 |
| 20 | HSJ20 | 1 | 125 | HSJ125 | 2 |
| 25 | HSJ25 | 1 | 150 | HSJ150 | 2 |
| 30 | HSJ30 | 1 | 175 | HSJ175 | 2 |
| 35 | HSJ35 | 1 | 200 | HSJ200 | 2 |
| 40 | HSJ40 | 1 | 225 | HSJ225 | 2 |
| 45 | HSJ45 | 1 | 250 | HSJ250 | 2 |
| 50 | HSJ50 | 1 | 300 | HSJ300 | 2 |
| 60 | HSJ60 | 1 | 350 | HSJ350 | 2 |
| 70 | HSJ70 | 2 | 400 | HSJ400 | 2 |
| 80 | HSJ80 | 2 | 500 | HSJ500 | 2 |
| 90 | HSJ90 | 2 | 600 | HSJ600 | 2 |

Recommended Fuse Bloc with Box Connectors for AMP-TRAP Class J Fuses

| Fuse Ampere Rating | Catalog Number | |
|--------------------|----------------|--------|
| | 600V or Less | |
| | 1 Pole | 3 Pole |
| 0-30 | US3J11 | US3J31 |
| 31-60 | US6J11 | US6J31 |
| 61-100 | 61036J | 61038J |
| 101-200 | 621001J | 62003J |
| 201-400 | 64031J | 64033J |
| 401-600 | 6631J | 6633J |

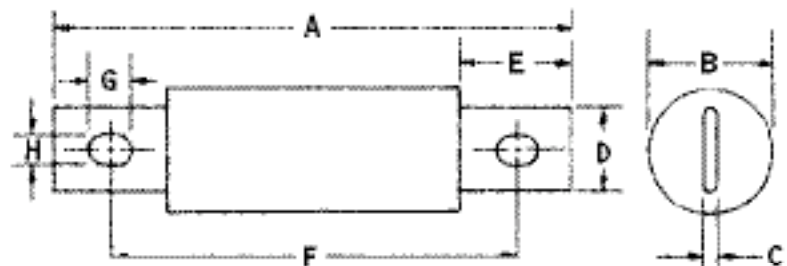
Dimensions

Fig 1



15-60A

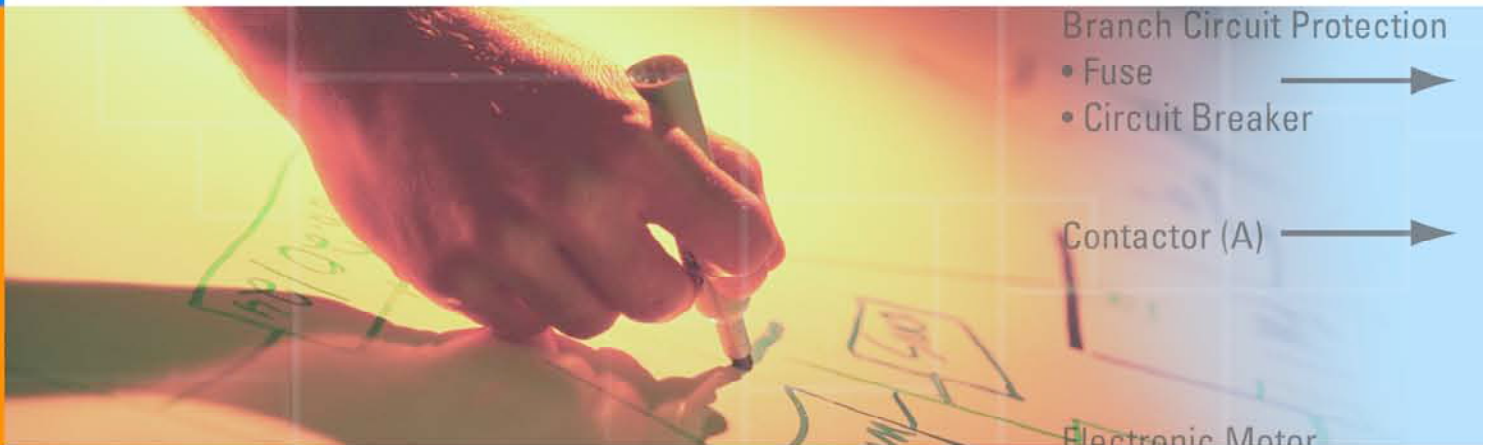
Fig 2



70-600A

| Ampere Rating | A | | B | | C | | D | | E | | F | | G | | H | |
|---------------|-------|-----|--------|----|------|-----|-------|----|-------|----|-------|-----|-------|----|-------|----|
| | in. | mm | in. | mm | in. | mm | in. | mm | in. | mm | in. | mm | in. | mm | in. | mm |
| 15-30 | 2-1/4 | 57 | 13/16 | 21 | - | - | - | - | - | - | - | - | - | - | - | - |
| 31-60 | 2-3/8 | 60 | 1-1/16 | 27 | - | - | - | - | - | - | - | - | - | - | - | - |
| 61-100 | 4-4/8 | 117 | 1-1/8 | 29 | 1/8 | 3.2 | 3/4 | 19 | 1 | 25 | 3-5/8 | 92 | 3/8 | 10 | 9/32 | 7 |
| 101-200 | 5-3/4 | 146 | 1-5/8 | 41 | 3/16 | 4.8 | 1-1/8 | 29 | 1-3/8 | 35 | 4-3/8 | 111 | 3/8 | 10 | 9/32 | 7 |
| 201-400 | 7-1/8 | 181 | 2-1/8 | 54 | 1/4 | 6.3 | 1-5/8 | 41 | 1-7/8 | 48 | 5-1/4 | 133 | 17/32 | 13 | 13/32 | 10 |
| 401-600 | 8 | 203 | 2-1/2 | 64 | 3/8 | 9.5 | 2 | 51 | 2-1/8 | 54 | 6 | 152 | 11/16 | 18 | 17/32 | 13 |

The Need for code compliance and semi-conductors



The Ferraz Shawmut solution: High Speed Class J fuses

Many manufacturers of drives and soft-starters have sought to reduce costs by eliminating internal semiconductor fusing. This now leaves equipment vulnerable to component failure, and falls short of code branch circuit requirements. Therefore, it becomes the end users' responsibility to protect the drives and soft-starters, while also providing branch circuit protection.

Ferraz Shawmut has developed an innovative solution to this problem, the UL listed Class J Fuse (HSJ) designed specifically to fit the operating parameters of drives and soft-starters, and protect the internal power electronic devices.

The HSJ combines the following features:

- Semiconductor protection (very low I^2t)
- Compliance to NEC (branch circuit protection)
- Mirrors operating characteristics of electronic motor controllers
- Capable of protecting overloads down to 135% of fuse rating

Why let short cuts result in costly short circuits?

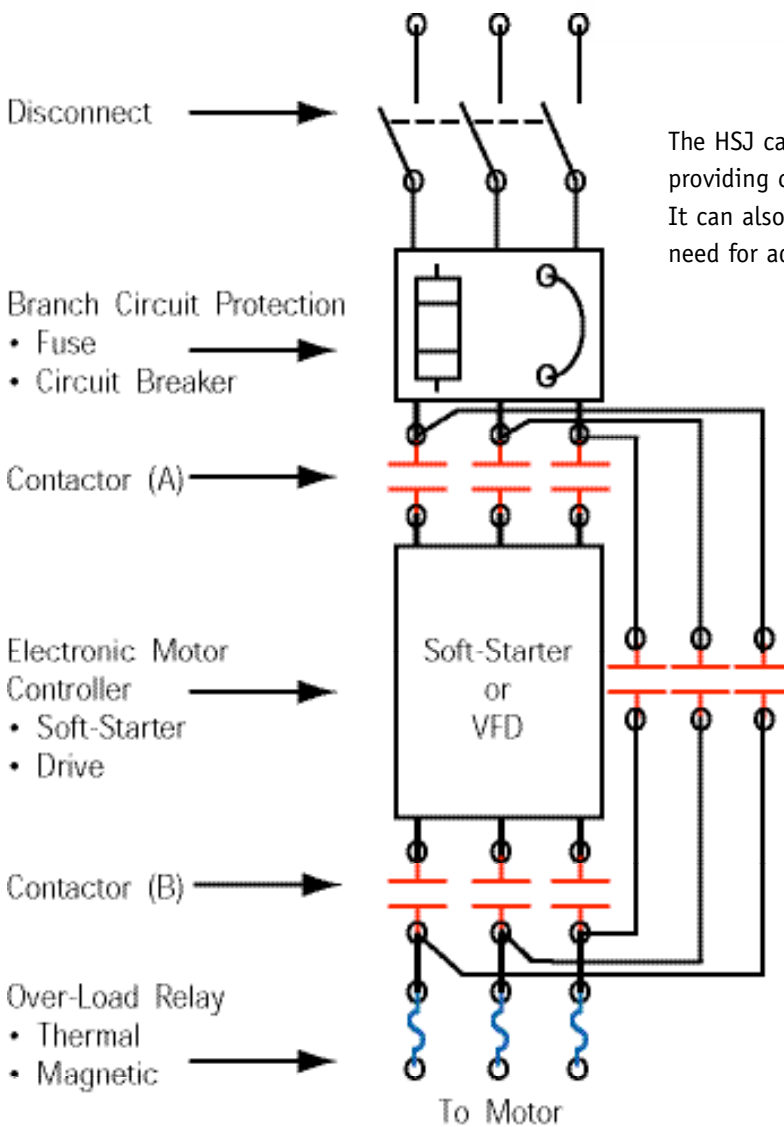
By using Ferraz Shawmut HSJ fuses not only are the NEC safety requirements and the equipment integrity maintained, but the price of replacing costly equipment is also eliminated.

Features & Benefits

- UL listed to 248-8
- UL Class J dimension
- CSA certified to C22.2
- 600VAC/500VDC
- 15A to 600A
- 200 kA interrupting rating
- Very low I^2t
- Protects most semiconductor devices
- Can be used with ULTRASAFE fuse holders for finger-safe protection (up to 60A)
- Easily coordinated with drives and soft starters

Protection

You'll find the HSJ in a broad range of amp ratings – from 15A to 600A, UL listed to 248.8 (Class J).



The HSJ can be used in fusible disconnect switches, providing code branch circuit protection. It can also protect power semiconductors without the need for additional protective devices.

| Protection Method | Code Branch Circuit Protection | Drive or Soft-Start Protection |
|---------------------------------------|--------------------------------|--------------------------------|
| NEW HSJ (UL Listed) | ✓ | ✓ |
| Circuit Breaker (UL Listed) | ✓ | ✗ |
| Class J, T, RK1, RK5 Fuse (UL Listed) | ✓ | ✗ |
| Semiconductor Fuse (UL Rec) | ? | ✓ |



The HSJ is the only product available capable of providing NEC branch circuit protection and power electronics protection in one package!

Innovation and more, from your circuit protection resource.

High-Speed Class J fuses are just one example of the innovative products and features engineered by Ferraz Shawmut — your circuit protection resource.

With products to meet every major global standard and a worldwide sales and service network, the depth of Ferraz Shawmut's solutions is unmatched in the industry. And don't forget technical support from applications specialists and experts on international standards.

To learn more...

For more information about High Speed Class J fuses—visit ferrazshawmut.com, contact your Ferraz Shawmut representative or call us at 978-462-6662.



North American Headquarters

Ferraz Shawmut
374 Merrimac Street
Newburyport, MA 01950-1998
Phone: 978-462-6662
Fax: 978-462-0181

E-mail: info@ferrazshawmut.com
ferrazshawmut.com

Global Headquarters

Ferraz Shawmut
1, rue Jean Novel
F-69100 Villeurbanne
France
Phone: +33 (0)4 72 22 66 11
Fax: +33 (0)4 72 22 67 13

Ferraz Shawmut Canada

88 Horner Avenue
Toronto, Ontario, Canada M8Z 5Y3
Phone: 416-252-9371
Toll-Free Phone: 800-267-8727
Fax: 416-252-6572
Toll-Free Fax: 800-387-3329



Your circuit protection resource.

© 2003 Ferraz Shawmut
HSJ2003 Q10000