

FUSERBLOC

Front and side operated range from 30 to 60 A



Select a switch

Ampere rating	30	30	30	30	60
Catalog number: 3 pole	FBCC30CDT	FBJ30CDT	FBCC30U	FBJ30U	FBJ60U
Catalog number: 4 pole	FBCC30SNCNT	FBJ30SNCNT	FBCC304U	FBJ304U	FBJ604U
Fuse class	CC	J	CC	J	J

Note : FBCC30CDT, FBCC30SNCNT, FBJ30CDT and FBJ30SNCNT are UL489 and CSA 22.2 #5.

M type selector handle for external front operation



Select a handle

NEMA type	IEC	Test function	Color	Catalog number				
1, 3R, 12, 4, 4X	IP65	No	Black	HMSB	HMSB	-	-	-
1, 3R, 12, 4, 4X	IP65	No	Red / Yellow	HMSR	HMSR	-	-	-

Note : handle is not defeatable, and is padlockable in the "OFF" position.



Select a shaft

Shaft length (inches / mm)	Catalog number				
7.9 / 200	SM200-5	SM200-5	-	-	-
12.6 / 320	SM320-5	SM320-5	-	-	-
15.7 / 400	SM400-5	SM400-5	-	-	-

S type pistol handle for external front and side operation



Select a handle

NEMA type	IEC	Test function	Color	Catalog number				
1, 3R, 12	IP54	No	Black	HSPB	HSPB	HSPBL	HSPBL	HSPBL
1, 3R, 12	IP54	No	Red / Yellow	HSPR	HSPR	HSPRL	HSPRL	HSPRL
1, 3R, 12, 4, 4X	IP65	No	Black	HSPB4	HSPB4	HSPB4L	HSPB4L	HSPB4L
1, 3R, 12, 4, 4X	IP65	No	Red / Yellow	HSPR4	HSPR4	HSPR4L	HSPR4L	HSPR4L
1, 3R, 12, 4, 4X	IP65	Yes	Black	HSPB4T	HSPB4T	HSPB4LT	HSPB4LT	HSPB4LT
1, 3R, 12, 4, 4X	IP65	Yes	Red / Yellow	HSPR4T	HSPR4T	HSPR4LT	HSPR4LT	HSPR4LT

Note: handle is defeatable, and is padlockable in the "OFF" position.



Select a shaft

Shaft length (inches / mm)	Catalog number				
7.9 / 200	SS200-5	SS200-5	SS200-10	SS200-10	SS200-10
12.6 / 320	SS320-5	SS320-5	SS320-10	SS320-10	SS320-10
15.7 / 400	SS400-5	SS400-5	SS400-10	SS400-10	SS400-10
19.7 / 500	-	-	SS500-10	SS500-10	SS500-10

Pistol handle for direct front operation



Select a handle

Color	Test function	Catalog number		
Black	Yes	HADB1	HADB2	This function can be achieved using side operated 30 - 400 A fusible disconnect switches.

Note: For getting auxiliary contact option on FBCC30CDT, FBCC30SNCNT, FBJ30CDT and FBJ30SNCNT when direct handle is installed, please use auxiliary contact blocks holder ACHCD.

HADB1 and HADB2 handles are padlockable in the "OFF" position. (See pages 36 - 37)

Options for external front & side operation



		Catalog number				
Terminal Lugs Kit	(for 3 and 4 pole switches)	integral	integral	integral	integral	integral
Terminal Shrouds	(for 3 and 4 pole switches)	integral	integral	integral	integral	integral
Shorting Links Kit	(3 links per Kit)	-	-	-	-	SL60
Auxiliary contact						
Auxiliary contact block holder		ACHCD	ACHCD	-	-	-
1 N / O, 10A, 600VAC snap-on contact block, A600-Q600 ⁽¹⁾		AC3	AC3	AC3	AC3	AC3
1 N / C, 10A, 600VAC snap-on contact block, A600-Q600 ⁽¹⁾		AC4	AC4	AC4	AC4	AC4
1 NO + NC side mount contact block, A600-N600 ⁽²⁾		-	-	AC5	AC5	AC5
2 NO + NC side mount contact blocks, A600-N600 ⁽²⁾		-	-	AC6	AC6	AC6

(1) Compact Design Fusible Disconnect Switch accommodates up to 4 auxiliary contacts for FBCC30CDT and FBCC30SNCNT and up to 2 auxiliary contacts for FBJ30CDT and FBJ30SNCNT on the switch.

(2) Two auxiliary contact blocks maximum can be side mounted.

Note : For class T fuse adaptors, please consult us.

FUSERBLOC

Front and side operated range from 100 to 800 A



Select a switch

Ampere rating	100	200	400	600	800
Catalog number: 3 pole	FBJ100U	FBJ200U	FBJ400U	FBJ600U	FBL800U
Catalog number: 4 pole	FBJ1004U	FBJ2004U	FBJ4004U	FBJ6004U	FBL8004U
Fuse class	J	J	J	J	L

S type pistol handle for external front and side operation



Select a handle

NEMA type	IEC	Test function	Color	Catalog number				
1, 3R, 12	IP54	No	Black	HSPBL	HSPBL	HSPBL	HSPBEL	HSPBEL
1, 3R, 12	IP54	No	Red / Yellow	HSPRL	HSPRL	HSPRL	HSPREL	HSPREL
1, 3R, 12, 4, 4X	IP65	No	Black	HSPB4L	HSPB4L	HSPB4L	HSPB4EL	HSPB4EL
1, 3R, 12, 4, 4X	IP65	No	Red / Yellow	HSPR4L	HSPR4L	HSPR4L	HSPR4EL	HSPR4EL
1, 3R, 12, 4, 4X	IP65	Yes	Black	HSPB4LT	HSPB4LT	HSPB4LT	-	-
1, 3R, 12, 4, 4X	IP65	Yes	Red / Yellow	HSPR4LT	HSPR4LT	HSPR4LT	-	-

Note: handle is defeatable, and is padlockable in the "OFF" position.



Select a handle

NEMA type	IEC	Test function	Color	Catalog number				
1, 3R, 12, 4, 4X	IP65	No	Black	-	-	-	HSTB4	HSTB4
1, 3R, 12, 4, 4X	IP65	No	Red / Yellow	-	-	-	HSTR4	HSTR4

Note: handle is defeatable and is padlockable in the "off" position. Handle can not be used for side operation.



Select a shaft

Shaft length (inches / mm)	Catalog number				
7.9 / 200	SS200-10	SS200-10	SS200-10	SS200-12	SS200-12
12.6 / 320	SS320-10	SS320-10	SS320-10	SS320-12	SS320-12
15.7 / 400	SS400-10	SS400-10	SS400-10	SS400-12	SS400-12
19.7 / 500	SS500-10	SS500-10	SS500-10	SS500-12	SS500-12

Pistol handle for direct front operation



Select a handle

Color	Test function	Catalog number			
Black	No	This function can be achieved using side operated 30 - 400 A fusible disconnect switches. (See pages 36 - 37)		HADB5U	HADB5U

Note: HADB5U is not padlockable, concerned switches have padlocking feature as standard on the gear box.

Options for external front & side operation



	Catalog number				
Terminal lugs kit					
6 lugs per kit - for 3 pole switches	TL100	TL200	TL400	TL600	TL600
8 lugs per kit - for 4 pole switches	TL1004	TL2004	TL4004	TL4004	TL4004
Terminal shrouds kit ⁽¹⁾					
3-pole (for line or load side)	TS100FB	TS200FB	TS400FB ⁽²⁾	TS800U	TS800U
4-pole (for line or load side)	TS1004FB	TS2004FB	TS4004FB ⁽²⁾	TS8004U	TS8004U
Shorting links kit (3 links per kit)	SL100	SL200	SL400	SL800	SL800
Auxiliary contacts					
1 N/O, 10A, 600 VAC snap-on-contact block, A600-Q600	AC3	AC3	AC3	AC3	AC3
1 N/C, 10A, 600 VAC snap-on-contact block, A600-Q600	AC4	AC4	AC4	AC4	AC4
1 NO+NC side mount contact block, A600-N600 ⁽³⁾	AC5	AC5	AC5	-	-
2 NO+NC side mount contact blocks, A600-N600 ⁽³⁾	AC6	AC6	AC6	-	-

(1) Line side Shrouding supplied as standard with switch.

(2) As a replacement part for line or load side (two terminal screens supplied as standard with switch).

(3) Two auxiliary contact blocks maximum can be side mounted.

Note: for class T fuse adaptors, please consult us.

Other handles



Metallic handle available on request, please consult us. UL pending.

FUSERBLOC & NFPA 79

Front operated range from 30 to 60 A



Select a switch

Ampere rating	30	30	30	30	60
Catalog number: 3 pole	FBCC30CDT	FBJ30CDT	FBCC30U	FBJ30U	FBJ60U
Catalog number: 4 pole	FBCC30SNCDT	FBJ30SNCDT	FBCC304U	FBJ304U	FBJ604U
Fuse class	CC	J	CC	J	J

Note : FBCC30CDT, FBCC30SNCDT, FBJ30CDT and FBJ30SNCDT are UL489 and CSA 22.2 #5.

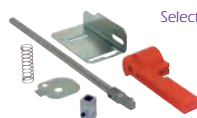
NFPA 79 front operation kit



Select a handle

NEMA type	IEC	Test function	Color	Catalog number				
1, 3R, 12	IP54	No	Black	HSPB	HSPB	HSPBL	HSPBL	HSPBL
1, 3R, 12	IP54	No	Red / Yellow	HSPR	HSPR	HSPRL	HSPRL	HSPRL
1, 3R, 12, 4, 4X	IP65	No	Black	HSPB4	HSPB4	HSPB4L	HSPB4L	HSPB4L
1, 3R, 12, 4, 4X	IP65	No	Red / Yellow	HSPR4	HSPR4	HSPR4L	HSPR4L	HSPR4L
1, 3R, 12, 4, 4X	IP65	Yes	Black	HSPB4T	HSPB4T	HSPB4LT	HSPB4LT	HSPB4LT
1, 3R, 12, 4, 4X	IP65	Yes	Red / Yellow	HSPR4T	HSPR4T	HSPR4LT	HSPR4LT	HSPR4LT

Note: handle is defeatable, and is padlockable in the "OFF" position.



Select a kit

	Catalog number				
	HADB6	HADB6	NFPA791	NFPA791	NFPA791

Note: allows to operate & padlock the switch when door of enclosure is open.

For full information on NFPA79 requirements and on our solution, please consult page 109.

Options for NFPA 79 front operation



	Catalog number				
Terminal Lugs Kit (for 3 and 4 pole switches)	integral	integral	integral	integral	integral
Terminal Shrouds (for 3 and 4 pole switches)	integral	integral	integral	integral	integral
Shorting Links Kit (3 links per Kit)	-	-	-	-	SL60
Auxiliary contacts					
Auxiliary contact block holder	ACHCD	ACHCD	-	-	-
1 N / O, 10A, 600VAC snap-on contact block, A600-Q600 ⁽¹⁾	AC3	AC3	AC3	AC3	AC3
1 N / C, 10A, 600VAC snap-on contact block, A600-Q600 ⁽¹⁾	AC4	AC4	AC4	AC4	AC4
1 NO + NC side mount contact block, A600-N600 ⁽²⁾	-	-	AC5	AC5	AC5
2 NO + NC side mount contact blocks, A600-N600 ⁽²⁾	-	-	AC6	AC6	AC6

(1) Compact Design Fusible Disconnect Switch accommodates up to 4 auxiliary contacts for FBCC30CDT and FBCC30SNCDT and up to 2 auxiliary contacts for FBJ30CDT and FBJ30SNCDT on the switch UL489.

(2) Two auxiliary contact blocks maximum can be side mounted.

Note: for class T fuse adaptors, please consult us.

FUSERBLOC & NFPA 79

Front operated range from 100 to 800 A



Select a switch

Ampere rating	100	200	400	600	800
Catalog number: 3 pole	FBJ100U	FBJ200U	FBJ400U	FBJ600U	FBL800U
Catalog number: 4 pole	FBJ1004U	FBJ2004U	FBJ4004U	FBJ6004U	FBL8004U
Fuse class	J	J	J	J	L

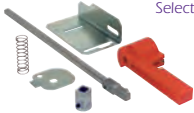
NFPA 79 front operation kit



Select a handle

NEMA type	IEC	Test function	Color	Catalog number				
1, 3R, 12	IP54	No	Black	HSPBL	HSPBL	HSPBL	HSPBEL	HSPBEL
1, 3R, 12	IP54	No	Red / Yellow	HSPRL	HSPRL	HSPRL	HSPREL	HSPREL
1, 3R, 12, 4, 4X	IP65	No	Black	HSPB4L	HSPB4L	HSPB4L	HSPB4EL	HSPB4EL
1, 3R, 12, 4, 4X	IP65	No	Red / Yellow	HSPR4L	HSPR4L	HSPR4L	HSPR4EL	HSPR4EL
1, 3R, 12, 4, 4X	IP65	Yes	Black	HSPB4LT	HSPB4LT	HSPB4LT	-	-
1, 3R, 12, 4, 4X	IP65	Yes	Red / Yellow	HSPR4LT	HSPR4LT	HSPR4LT	-	-

Note: handle is defeatable, and is padlockable in the "OFF" position.



Select a kit

	Catalog number				
	NFPA791	NFPA791	NFPA791	NFPA792	NFPA792

Note: Allows to operate & padlock the switch when door of enclosure is open.

For full information on NFPA79 requirements and on our solution, please consult page 109.

Options for NFPA 79 front operation



	Catalog number				
Terminal lugs kit					
6 lugs per kit - for 3 pole switches)	TL100	TL200	TL400	TL600	TL800
(8 lugs per kit - for 4 pole switches)	TL1004	TL2004	TL4004	TL6004	TL8004
Terminal shrouds kit ⁽¹⁾					
3-pole (for line or load side)	TS100FB	TS200FB	TS400FB ⁽²⁾	TS800U	TS800U
4-pole (for line or load side)	TS1004FB	TS2004FB	TS4004FB ⁽²⁾	TS8004U	TS8004U
Shorting links kit (3 links per kit)	SL100	SL200	SL400	SL800	SL800
Auxiliary contacts					
1 N/O, 10A, 600 VAC snap-on-contact block, A600-Q600	AC3	AC3	AC3	AC3	AC3
1 N/C, 10A, 600 VAC snap-on-contact block, A600-Q600	AC4	AC4	AC4	AC4	AC4
1 NO+NC side mount contact block, A600-N600AC5 ⁽³⁾	AC5	AC5	-	-	-
2 NO+NC side mount contact blocks, A600-N600 ⁽³⁾	AC6	AC6	AC6	-	-

(1) Line side Shrouding supplied as standard with switch.

(2) As a replacement part for line or load side (two terminal screens supplied as standard with switch).

(3) Two auxiliary contact blocks maximum can be side mounted.

Note: for class T fuse adaptors, please consult us.

FUSERBLOC & NFPA 79

Side operated range from 30 to 60 A



Select a switch

Ampere rating	30	30	60
Catalog number: 3 pole	FBCC30SO	FBJ30SO	FBJ60SO
Catalog number: 4 pole	FBCC304SO	FBJ304SO	FBJ604SO
Fuse class	CC	J	J

Cable flange operated handle (square D type - class 9422)



Select a handle

NEMA type	IEC		Catalog number		
1, 3, 3R, 4, 12	IP54		HAF-OP1 ⁽¹⁾	HAF-OP1 ⁽¹⁾	HAF-OP1 ⁽¹⁾
4, 4X	IP65		HAF-OP2 ⁽²⁾	HAF-OP2 ⁽²⁾	HAF-OP2 ⁽²⁾

Note: handle is defeatable, and padlockable in the "OFF" position.



Mechanism

	Catalog number		
	HAF-MECH	HAF-MECH	HAF-MECH



Select a cable

Cable length (inches / mm)	Catalog number		
36 / 914.4	H AFC36	H AFC36	H AFC36
60 / 1 524	H AFC60	H AFC60	H AFC60
120 / 3 048	H AFC120	H AFC120	H AFC120

Note: cable flange operation is for enclosure depth from 5.75 / 146 to 36 / 990, depending on the cable length.

Rod flange operated handle (square D type - class 9422)



Select a handle

NEMA type	IEC		Catalog number		
1, 3, 3R, 4, 12	IP54		HAF-OP1 ⁽¹⁾	HAF-OP1 ⁽¹⁾	HAF-OP1 ⁽¹⁾
4, 4X	IP65		HAF-OP2 ⁽²⁾	HAF-OP2 ⁽²⁾	HAF-OP2 ⁽²⁾

Note: handle is defeatable, and padlockable in the "OFF" position.



Select a rod

Rod length (inches / mm)	Catalog number		
23.6 / 500	H AFR	H AFR	H AFR

Note: rod kit is for enclosure depth from 8 / 203 to 24.12 / 613.
For smaller depth, please consult us.

Pistol handle for direct side operation (not NFPA 79)



Select a handle

Color	Catalog number		
Black	HADB3	HADB4	HADB4

Note: handle is padlockable in the "OFF" position.

Options for flange & direct operation



		Catalog number		
Terminal Lugs Kit	For 3 and 4 pole fuse switches	integral	integral	integral
Terminal Shrouds	For 3 and 4 pole fuse switches	integral	integral	integral
Shorting links kit	3 links per kit - for 3 pole fuse switches	-	-	SL60
Auxiliary Contacts				
1 NO + NC side mount contact block, A600-N600 ⁽³⁾		AC5	AC5	AC5
2 NO + NC side mount contact blocks, A600-N600 ⁽³⁾		AC6	AC6	AC

(1) All external metal parts are sheet steel.

(2) All external metal parts are either stainless steel or a chrome-plated non-ferrous die casting.

(3) Two auxiliary contact blocks maximum can be side mounted.

Note: for class T fuse adaptors, please consult us.

FUSERBLOC & NFPA 79

Side operated range from 100 to 400 A



Select a switch

Ampere rating	100	200	400
Catalog number: 3 pole	FBJ100SO	FBJ200SO	FBJ400SO
Catalog number: 4 pole	FBJ1004SO	FBJ2004SO	FBJ4004SO
Fuse class	J	J	J

Cable flange operated handle (square D type - class 9422)



Select a handle

NEMA type	IEC		Catalog number		
1, 3, 3R, 4, 12	IP54		HAF-OP1 ⁽¹⁾	HAF-OP1 ⁽¹⁾	HAF-OP1 ⁽¹⁾
4, 4X	IP65		HAF-OP2 ⁽²⁾	HAF-OP2 ⁽²⁾	HAF-OP2 ⁽²⁾

Note: handle is defeatable, and padlockable in the "OFF" position.



Mechanism

	Catalog number		
	HAF-MECH	HAF-MECH	HAF-MECH



Select a cable

Cable length (inches / mm)	Catalog number		
36 / 914.4	H AFC36	H AFC36	H AFC36
60 / 1 524	H AFC60	H AFC60	H AFC60
120 / 3 048	H AFC120	H AFC120	H AFC120

Note: cable flange operation is for enclosure depth from 5.75 / 146 to 36 / 990, depending on the cable length.

Rod flange operated handle (square D type - class 9422)



Select a handle

NEMA type	IEC		Catalog number		
1, 3, 3R, 4, 12	IP54		HAF-OP1 ⁽¹⁾	HAF-OP1 ⁽¹⁾	HAF-OP1 ⁽¹⁾
4, 4X	IP65		HAF-OP2 ⁽²⁾	HAF-OP2 ⁽²⁾	HAF-OP2 ⁽²⁾

Note: handle is defeatable, and padlockable in the "OFF" position.



Select a rod

Rod length (inches / mm)	Catalog number		
23.6 / 500	H AFR	H AFR	H AFR

Note: rod kit is for enclosure depth from 8 / 203 to 24.12 / 613.
For smaller depth, please consult us.

Pistol handle for direct side operation (not NFPA 79)



Select a handle

Color	Catalog number		
Black	HADB4	HADB4	HADB4

Note: handle is padlockable in the "OFF" position.

Options for flange & direct operation handle from 100 to 400 A



	Catalog number		
Terminal lugs kit			
6 lugs per kit - for 3 pole fuse switches	TL100	TL200	TL400
8 lugs per kit - for 4 pole fuse switches	TL1004	TL2004	TL4004
Terminal shrouds kit ⁽⁴⁾			
3-pole (for line or load side)	TS100FB	TS200FB	TS400FB ⁽⁵⁾
4-pole terminal shrouds kit ⁽⁴⁾ (for line or load side)	TS1004FB	TS2004FB	TS4004FB ⁽⁵⁾
Shorting links kit (3 links per kit - for 3 pole fuse switches)	SL100	SL200	SL400
Auxiliary contacts ⁽³⁾			
1 NO+NC side mount contact block, A600 - N600	AC5	AC5	AC5
2 NO+NC side mount contact blocks, A600 - N600	AC6	AC6	AC6

(1) All external metal parts are sheet steel. - (2) All external metal parts are either stainless steel or a chrome-plated non-ferrous die casting.

(3) Two auxiliary contact blocks maximum can be side mounted. - (4) Line side Shrouding supplied as standard with switch.

(5) As a replacement part (two terminal screens supplied as standard with switch).

Note: for class T fuse adaptors, please consult us.

Technical characteristics for front & side operation

UL, cUL and CSA

Catalog number		FBCC30CDT FBCC30SNCDT	FBJ30CDT FBJ30SNCDT	FBCC30U / FBCC304U FBCC3050 / FBCC30450	FBJ30U / FBJ304U FBJ3050 / FBJ30450
Rating	A	30	30	30	30
Fuse type		CC	J	CC	J
Operating voltage	V	600	600	600	600
Max horsepower rating/ Max motor FLA current					
Three phase					
208 V		5/17.5	5/17.5	5/17.5	5/17.5
240 V		7.5/22	7.5/22	7.5/22	7.5/22
480 V		15/21	15/21	15/21	15/21
600 V		20/22	20/22	20/22	20/22
DC 125 V } 2 pole in series		3/25	3/25	3/25	3/25
DC 250 V } except (1)		5/20	5/20	5/20	5/20
Short circuit rating with fuses (SCCR)	kA	65	65	100	100 ⁽¹⁾
Branch circuit fuse type		CC	J	CC	J
Max fuse rating (A)		30	30	30	30
Dimension 3 pole (front operated switches)					
H	in	4.56	4.56	5.87	5.87
W	in	3.78	4.13	5.63	6.72
D	in	3.28	3.89	3.89	5.62
Shaft size square (front operated switches)					
	in	0.2 x 0.2	0.2 x 0.2	0.4 x 0.4	0.4 x 0.4
	mm	5 x 5	5 x 5	10 x 10	10 x 10
3-pole switch operating torque (front operation)	lb. in.	21	21	53	88
Terminal lugs kit (# of lugs per kit)		Integral	Integral	Integral	Integral
Wire range AWG (# of wire holes per lug)		#10-#14 (1)	#10-#14 (1)	#10-#14 (1)	#3-#10 (1)
Wire tightening torque	lb. in.	27	27	48	58

(1) 200 kA available on request.

IEC 947-3

Catalog number		FBCC30CDT FBCC30SNCDT	FBJ30CDT FBJ30SNCDT	FBCC30U / FBCC304U FBCC3050 / FBCC30450	FBJ30U / FBJ304U FBJ3050 / FBJ30450
Rating	A	32 CD	32 CD	32	32
Rated Insulation voltage U_i (V)	V	800	800	750	750
Rated impulse voltage (U_{imp})		8 kV	8 kV	8 kV	8 kV
Operating current I_e (A)					
400 V AC	AC 22A	32	32	32	32
	AC 23A	32	32	32	32
690 V AC	AC 22A	32	32	32	32
	AC 23A	32	32	32	32
Motor Power (kW)					
400 V AC	AC 23A	15	15	15	15
500 V AC	AC 23A	18.5	18.5	18.5	18.5
690 V AC	AC 23A	25	25	25	25
Max. peak let through current (gG)	kA peak	5.5	5.5	7.6	17.6
Connection					
Minimum Cu cable section	mm ²	6	6	6	6
Minimum CU busbar section	mm ²	-	-	-	-

Technical characteristics for front & side operation

UL, cUL and CSA

Catalog number		FBJ60U / FBJ604U FBJ60SO / FBJ604SO	FBJ100U / FBJ1004U FBJ100SO / FBJ1004SO	FBJ200U / FBJ2004U FBJ200SO / FBJ2004SO	FBJ400U / FBJ4004U FBJ400SO / FBJ4004SO	FBJ600U / FBJ6004U	FBL800U / FBL8004U
Rating	A	60	100	200	400	600	800
Fuse type		J	J	J	J	J	L
Operating voltage	V	600	600	600	600	600	600
Max horsepower rating / Max motor FLA current							
Three phase							
208 V		15 / 48.5	25 / 78.5	50 / 150	100 / 286	-	-
240 V		15 / 42	30 / 80	60 / 154	125 / 312	200 / 480	200 / 480
480 V		30 / 40	60 / 77	125 / 156	250 / 302	400 / 477	500 / 590
600 V		50 / 52	75 / 77	150 / 144	350 / 336	500 / 472	500 / 472
DC 125 V 2 pole in series		3 / 25	7.5 / 58	15 / 112	20 / 148	-	-
DC 250 V except ⁽¹⁾		10 / 38	20 / 38	40 / 140(1)	50/173(1)	-	-
Short circuit rating with fuses (SCCR)	kA	200	200	200	200	200	200
Branch circuit fuse type		J	J	J	J	J	L
Max fuse rating (A)		60	100	200	400	600	800
Dimension 3 pole (front operated switches)							
H	in.	5.87	7.19	8.13	14.31	11.86	11.86
W	in.	6.72	8.26	9.44	11.93	14.31	14.31
D	in.	5.62	5.63	6	5.56	11.42	11.42
Shaft size square (front operated switches)	in.	0.4 x 0.4	0.4 x 0.4	0.4 x 0.4	0.4 x 0.4	4.7 x 4.7	4.7 x 4.7
	mm	10 x 10	10 x 10	10 x 10	10 x 10	12 x 12	12 x 12
3-pole switch operating torque (front operation)	lb-in.	88	88	106	132	350	350
Terminal lugs kit (# lugs per kit)		Integral	Optional (6)	Optional (6)	Optional (6)	Optional (6)	Optional (6)
Wire range AWG (# of wire holes per lug)		#3-#10 (1)	2 / 0-#14 (1)	3 / 0-#6 (1)	600 kcmil-#2 (1)	600 kcmil-#2 (2)	600 kcmil-#2 (2)
Wire tightening torque	lb-in.	58	120	200	500	500	500

(1) 3 pole in series.

IEC 947-3

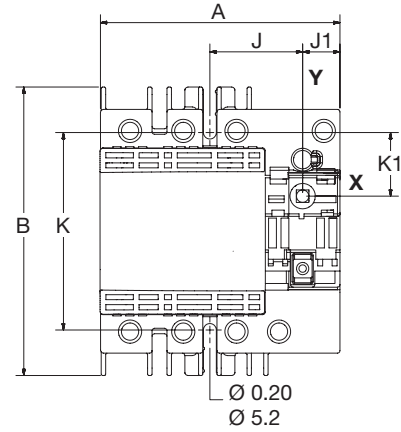
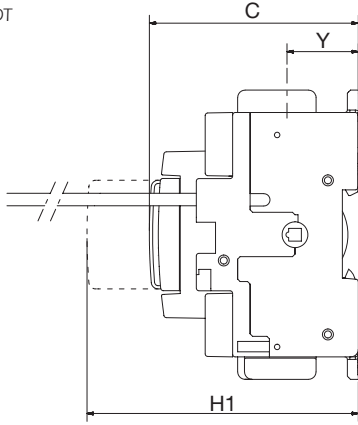
Catalog number		FBJ60U / FBJ604U FBJ60SO / FBJ604SO	FBJ100U / FBJ1004U FBJ100SO / FBJ1004SO	FBJ200U / FBJ2004U FBJ200SO / FBJ2004SO	FBJ400U / FBJ4004U FBJ400SO / FBJ4004SO	FBJ600U / FBJ6004U	FBL800U / FBL8004U
Rating	A	60	100	200	400	600	800
Rated Insulation voltage U _i	V	750	750	750	800	1000	1000
Rated impulse voltage (U _{imp})		8 kV	8 kV	8 kV	8 kV	12 kV	12 kV
Operating current I _e (A)							
400 V AC	AC 22A	63	100	200	400	630	800
	AC 23A	63	100	200	400	630	800
690 V AC	AC 22A	63	100	200	400	630	800
	AC 23A	63	100	200	250	630	630
Motor Power (kW)							
400 V AC	AC 23A	30	51	100	220	355	450
500 V AC	AC 23A	40	63	140	220	450	560
690 V AC	AC 23A	55	90	185	220	600	600
Max. peak let through current (gG)	kA peak	17.6	22	32	36	80	90
Connection							
Minimum Cu cable section	mm ²	10	25	50	185	2 x 150	-
Minimum Cu busbar section	mm ²	-	-	-	-	-	2 x 40 x 5

FUSERBLOC

Dimensions (in / mm) for front and side operation

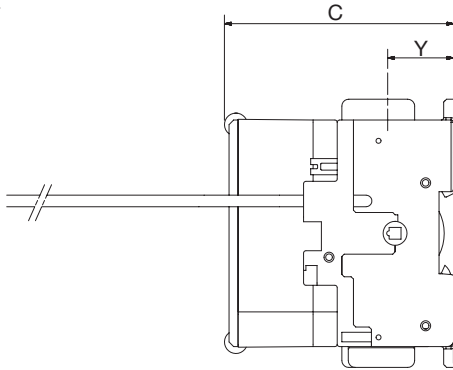
FUSERBLOC CD 30 A CC

FBCC30CDT
FBCC30SNCDT



FUSERBLOC CD 30 A J

FBJ30CDT
FBJ30SNCDT



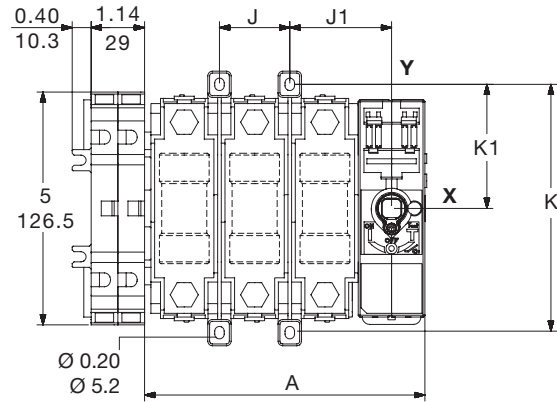
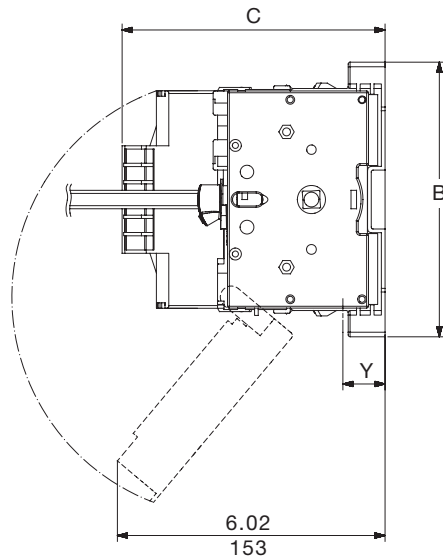
Rating	Number of pole	A		B		C		H		H2		H3		J		J1		K		K1		K3		Y	
		In	mm	In	mm	In	mm	In	mm	In	mm	In	mm	In	mm	In	mm	In	mm	In	mm	In	mm	In	mm
30 A CC CD type	3 P	3.78	96	4.56	116	3.28	83.5	-	-	5.19	132	-	-	-	-	1.47	37.5	0.59	15	3.13	79.5	1	25.5	1.12	28.5
30 A J CD type	3 P	4.13	105	4.56	116	3.89	99	-	-	-	-	-	-	-	-	1.47	37.5	0.59	15	3.30	84	1	25.5	1.12	28.5

FUSERBLOC

Dimensions (in / mm) for front and side operation

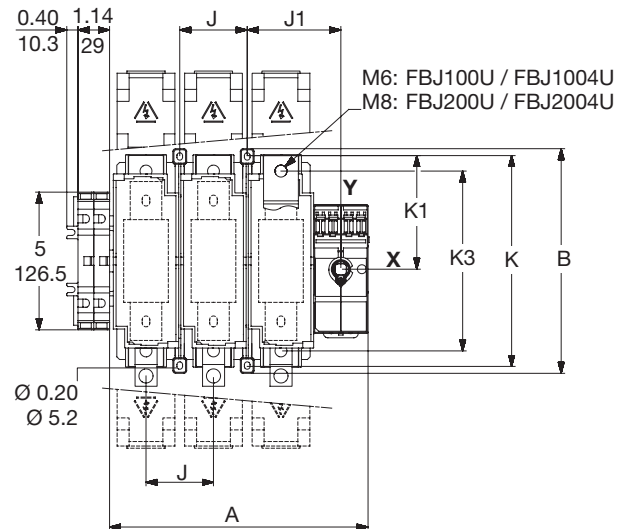
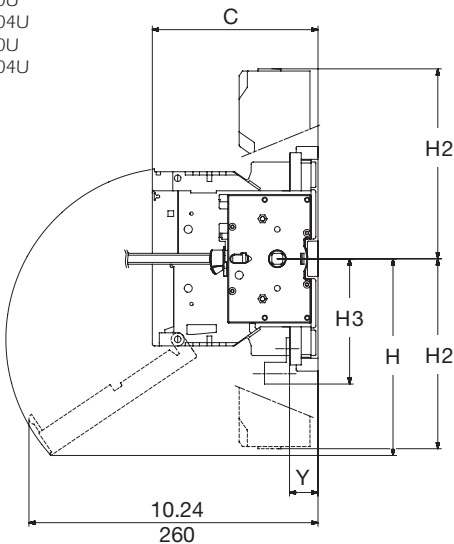
FUSERBLOC 30 A CC - 30 A J - 60 A J

FBCC30U
FBCC304U
FBJ30U
FBJ304U
FBJ60U
FBJ604U



FUSERBLOC 100 A J - 200 A J

FBJ100U
FBJ1004U
FBJ200U
FBJ2004U



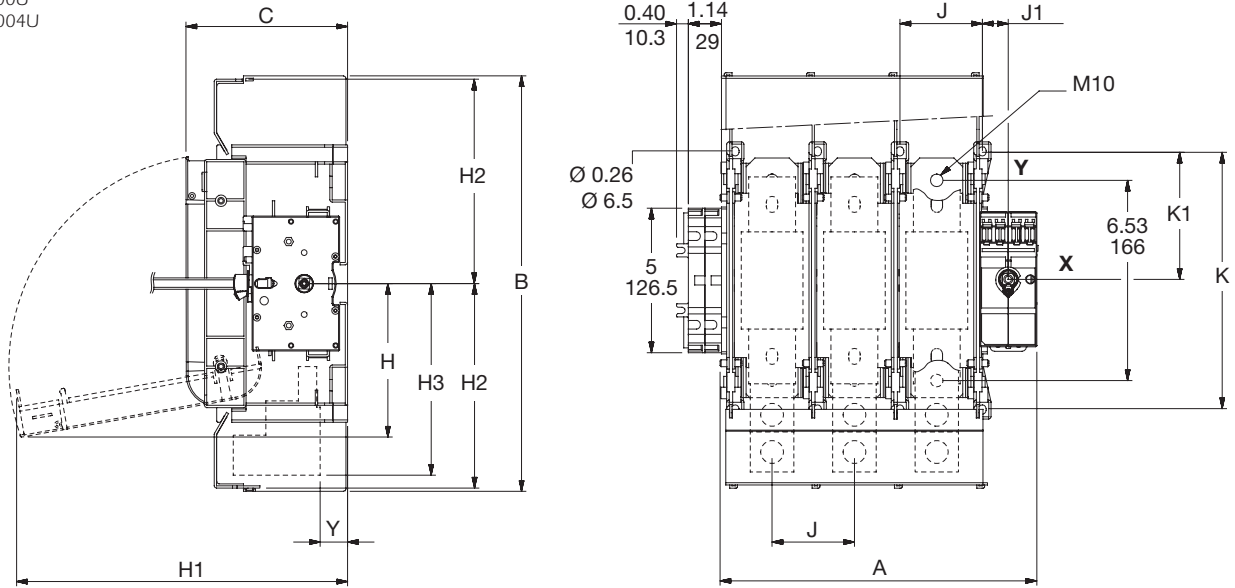
Rating	Number of pole	A		B		C		H		H2		H3		J		J1		K		K1		K3		Y	
		In	mm	In	mm	In	mm	In	mm	In	mm	In	mm	In	mm	In	mm	In	mm	In	mm	In	mm	In	mm
30 A CC	3 P	4.92	125	5.87	149	3.89	99	-	-	-	-	-	-	1.14	29	1.77	45	5.31	135	2.63	66.5	-	-	1.21	31
	4 P	6.06	154	5.87	149	3.89	99	-	-	-	-	-	-	1.14	29	1.77	45	5.31	135	2.63	66.5	-	-	1.21	31
30 A J	3 P	5.51	140	5.87	149	4.58	116.5	-	-	-	-	-	-	1.33	34	1.97	50	5.31	135	2.63	66.5	-	-	0.94	24
	4 P	6.85	174	5.87	149	4.58	116.5	-	-	-	-	-	-	1.33	34	1.97	50	5.31	135	2.63	66.5	-	-	0.94	24
60 A J	3 P	5.98	152	5.87	149	5.62	143	-	-	-	-	-	-	1.5	38	2.12	54	5.31	135	2.63	66.5	-	-	0.95	24.5
	4 P	7.48	190	5.87	149	5.62	143	-	-	-	-	-	-	1.5	38	2.12	54	5.31	135	2.63	66.5	-	-	0.95	24.5
100 A J	3 P	7.63	194	7.19	182.5	5.63	143	4.06	103	5.27	134	3.66	93	2.05	52	2.95	75	6.61	168	3.28	83.5	5.55	141	1.02	26
	4 P	9.68	246	7.19	182.5	5.63	143	4.06	103	5.27	134	3.66	93	2.05	52	2.95	75	6.61	168	3.28	83.5	5.55	141	1.02	26
200 A J	3 P	9.37	238	8.13	206.5	6	152	7.27	184.5	6.87	174.5	4.79	122	2.44	62	3.38	86	7.56	192	3.75	95.5	6.53	166	1.02	26
	4 P	11.81	300	8.13	206.5	6	152	7.27	184.5	6.87	174.5	4.79	122	2.44	62	3.38	86	7.56	192	3.75	95.5	6.53	166	1.02	26

FUSERBLOC

Dimensions (in / mm) for front and side operation

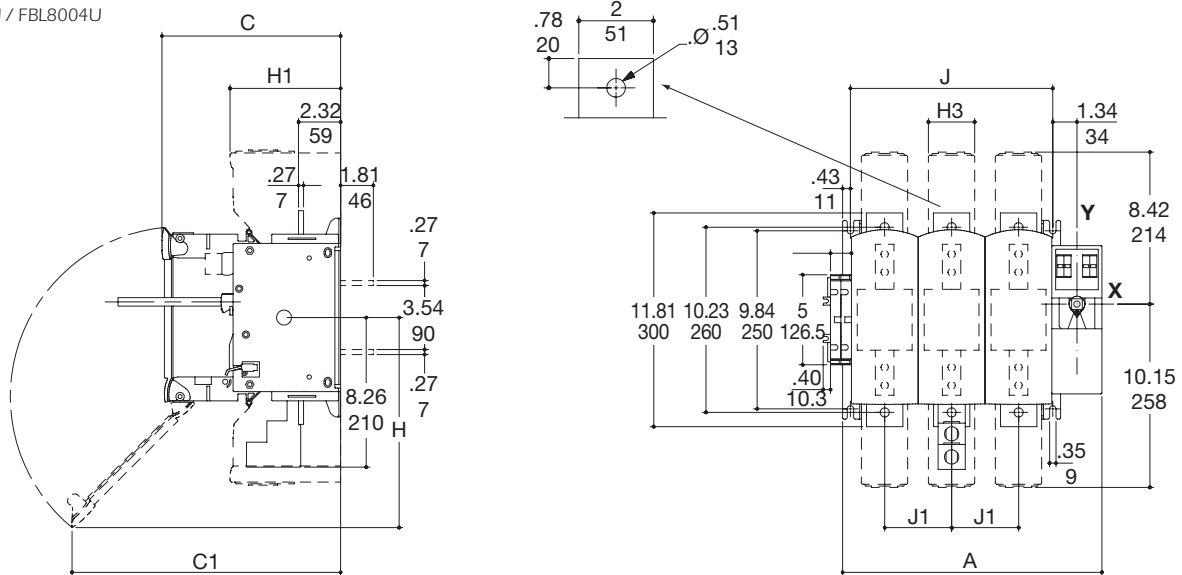
FUSERBLOC 400 A J

FBJ400U
FBJ4004U



FUSERBLOC 600 A J - 800 A L

FBJ600U / FBJ6004U
FBL800U / FBL8004U



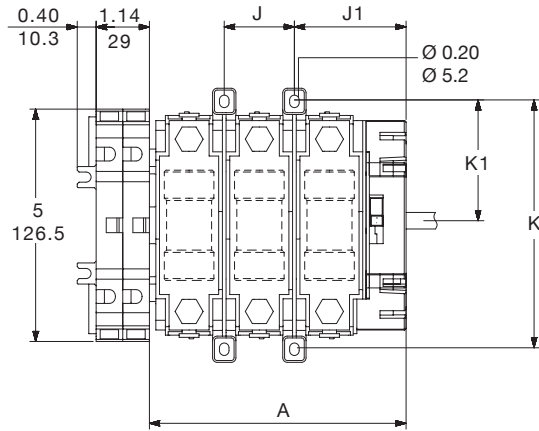
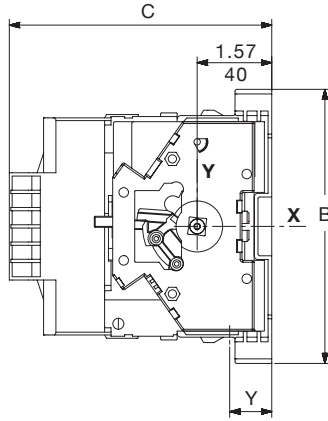
Rating	Number of pole	A		B		C		C1		H		H1		H2		H3		J		J1		K		K1		Y	
		In	mm	In	mm	In	mm	In	mm	In	mm	In	mm	In	mm	In	mm	In	mm	In	mm	In	mm	In	mm	In	mm
400 AJ	3 P	10.8	276	14.31	363.5	5.56	141.5	-	-	5.28	134.5	11.41	290	7.04	179	6.59	167.5	2.84	72	0.88	22.5	8.83	224	4.41	112	1.06	27
	4 P	13.7	348	14.31	363.5	5.56	141.5	-	-	5.28	134.5	11.41	290	7.04	179	6.59	167.5	2.84	72	0.88	22.5	8.83	224	4.41	112	1.06	27
600 AJ	3 P	14.33	364	-	-	9.84	250	14.72	374	11.69	297	6.10	155	-	-	2.56	65	11.18	284	3.70	94	-	-	-	-	-	-
800 AL	4 P	18.03	458	-	-	9.84	250	14.72	374	11.69	297	6.10	155	-	-	2.56	65	14.88	378	3.70	94	-	-	-	-	-	-

FUSERBLOC

Dimensions (in / mm) for side operation

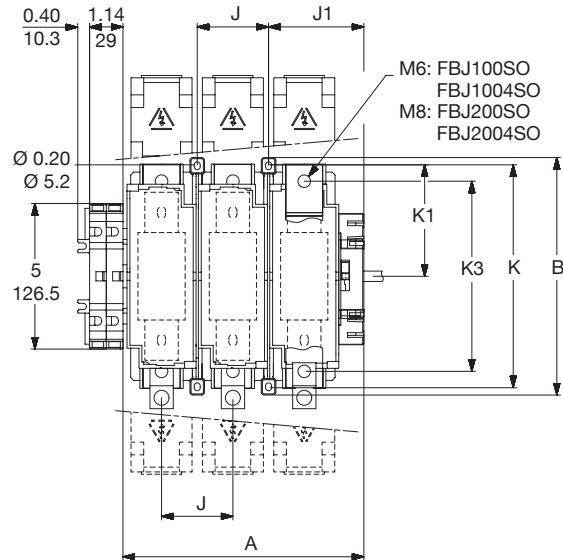
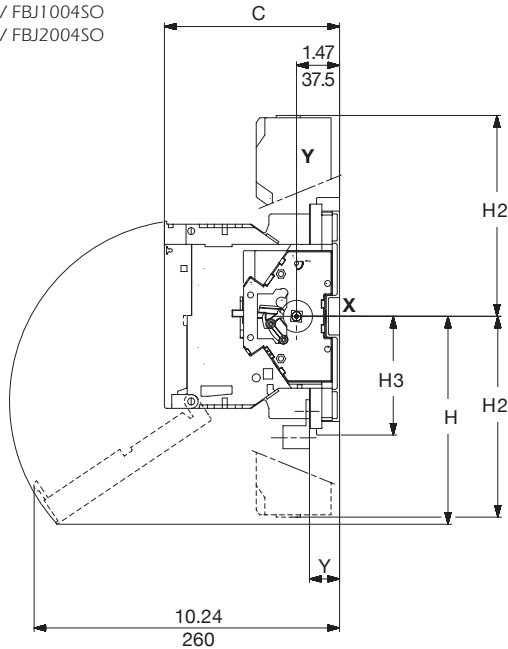
FUSERBLOC 30 A CC - 30 A J - 60 A J

FBCC30SO / FBCC304SO
 FBJ30SO / FBJ304SO
 FBJ60SO / FBJ604SO



FUSERBLOC 100 A J - 200 A J

FBJ100SO / FBJ1004SO
 FBJ200SO / FBJ2004SO



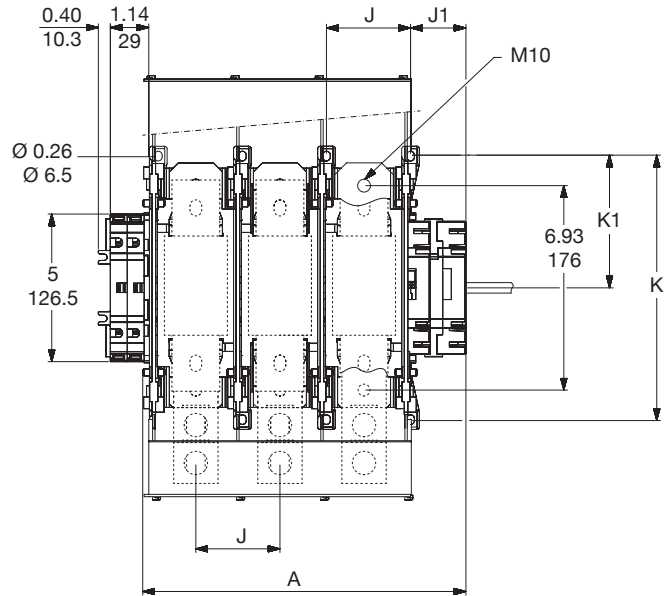
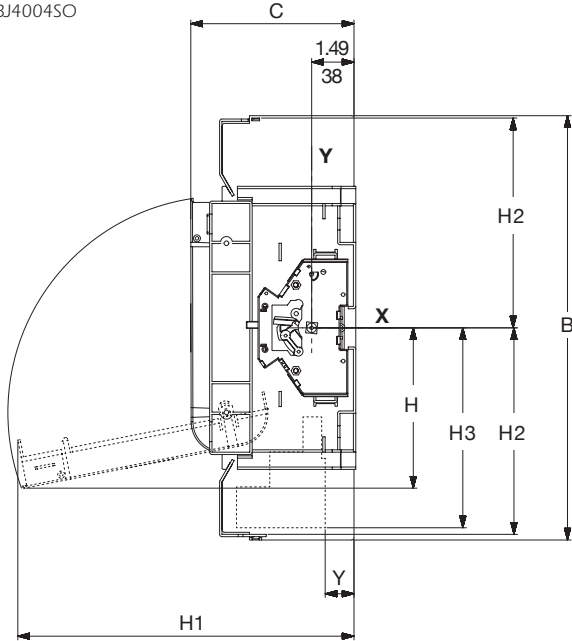
Rating	Number of pole	A		B		C		H		H2		H3		J		J1		K		K1		K3		Y	
		In	mm	In	mm	In	mm	In	mm	In	mm	In	mm	In	mm	In	mm	In	mm	In	mm	In	mm	In	mm
30 A CC	3 P	4.37	111	5.87	149	3.89	99	-	-	-	-	-	-	1.14	29	1.97	50	5.31	135	2.63	66.5	-	-	1.21	31
	4 P	5.51	140	5.87	149	3.89	99	-	-	-	-	-	-	1.14	29	1.97	50	5.31	135	2.63	66.5	-	-	1.21	31
30 A J	3 P	5.45	138.5	5.87	149	5.62	143	-	-	-	-	-	1.5	38	2.32	59	5.31	135	2.63	66.5	-	-	0.95	24.5	
	4 P	6.95	176.5	5.87	149	5.62	143	-	-	-	-	-	1.5	38	2.32	59	5.31	135	2.63	66.5	-	-	0.95	24.5	
60 A J	3 P	5.45	138.5	5.87	149	5.62	143	-	-	-	-	-	1.5	38	2.32	59	5.31	135	2.63	66.5	-	-	0.95	24.5	
	4 P	6.95	176.5	5.87	149	5.62	143	-	-	-	-	-	1.5	38	2.32	59	5.31	135	2.63	66.5	-	-	0.95	24.5	
100 A J	3 P	7.09	180	7.19	182.5	5.63	143	4.06	103	5.27	134	3.66	93	2.05	52	2.86	73	6.61	168	3.28	83.5	5.55	141	1	26
	4 P	9.13	232	7.19	182.5	5.63	143	4.06	103	5.27	134	3.66	93	2.05	52	2.86	73	6.61	168	3.28	83.5	5.55	141	1	26
200 A J	3 P	9.47	240.5	8.13	206.5	6	152	7.27	184.5	6.87	174.5	4.79	122	2.44	62	4.47	113.5	7.56	192	3.75	95.5	6.53	166	1.03	26
	4 P	11.9	302.5	8.13	206.5	6	152	7.27	184.5	6.87	174.5	4.79	122	2.44	62	4.47	113.5	7.56	192	3.75	95.5	6.53	166	1.03	26

FUSERBLOC

Dimensions (in / mm) for side operation

FUSERBLOC 400 A J

FBJ400SO
FBJ4004SO

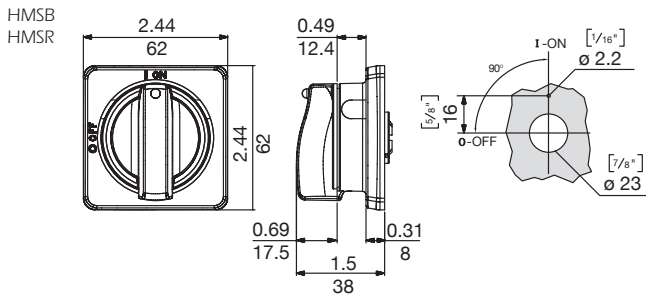


Rating	Number of pole	A		B		C		H		H1		H2		H3		J		J1		K		K1		Y	
		In	mm	In	mm	In	mm	In	mm	In	mm	In	mm	In	mm	In	mm	In	mm	In	mm	In	mm	In	mm
400AJ	3 P	10.9	277	14.31	363.5	5.57	141.5	5.29	134.5	11.42	290	7.04	179	6.59	167.5	2.84	72	1.89	48	8.82	224	4.41	112	1.06	27
	4 P	13.74	349	14.31	363.5	5.57	141.5	5.29	134.5	11.42	290	7.04	179	6.59	167.5	2.84	72	1.89	48	8.82	224	4.41	112	1.06	27

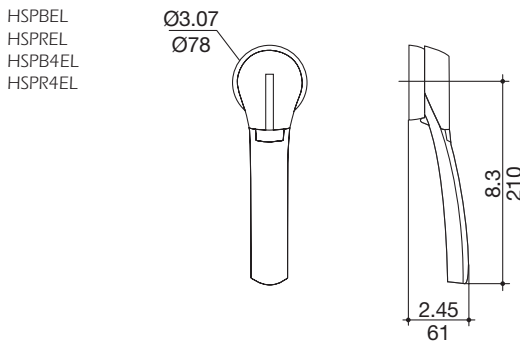
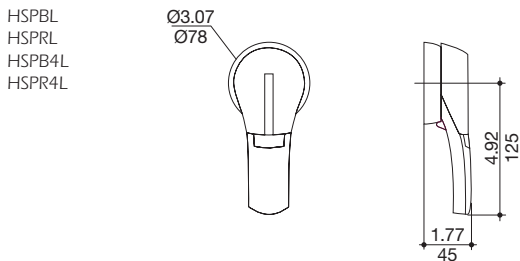
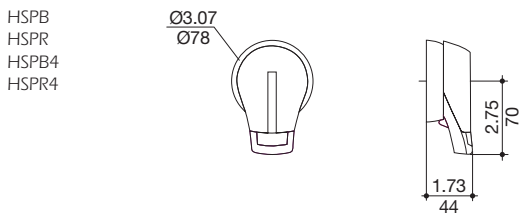
FUSERBLOC

Dimensions (in / mm) for external front operation handles

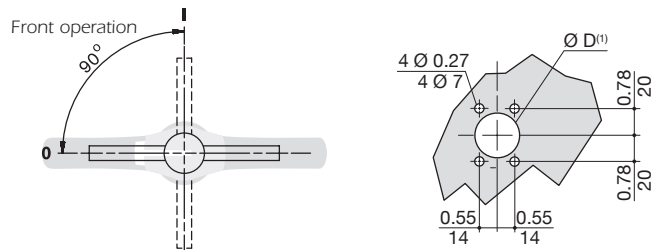
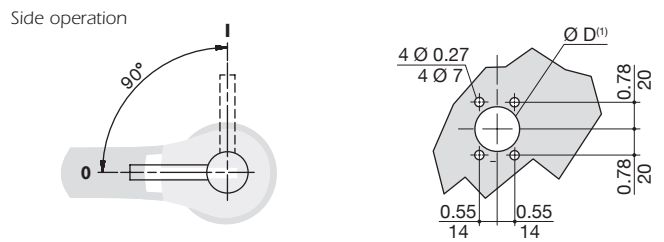
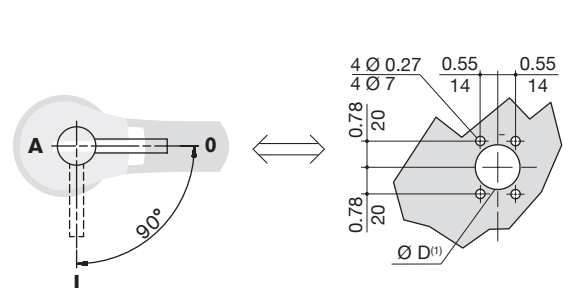
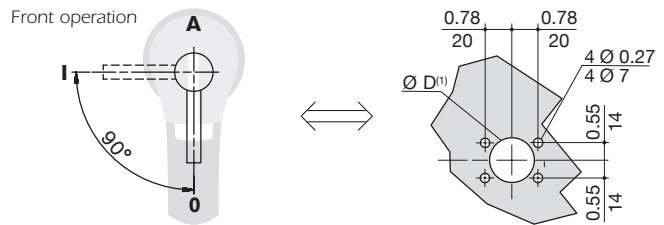
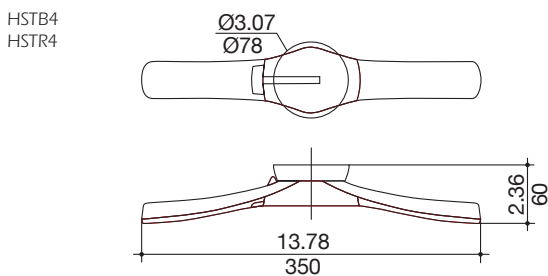
M type selector handle



S type pistol handle



S type pistol double handle

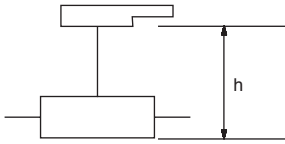


(1) Conventional fixing (from rear): D = 1.22 to 1.45 in / 31 to 37 mm.
Fast fixing (external, door closed): D = 1.45 in / 37 mm, fast fixing is achieved with special clips that avoid drilling for fixation of the handle on the door. Clips are included.

FUSERBLOC

Dimensions (in / mm) from backplate to door distance with shaft extension

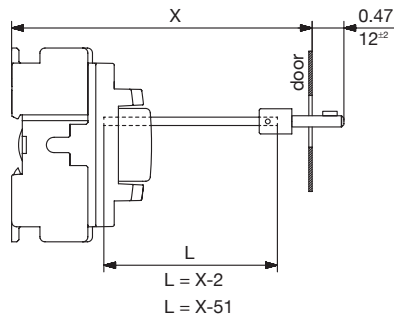
Minimum distance (in / mm)



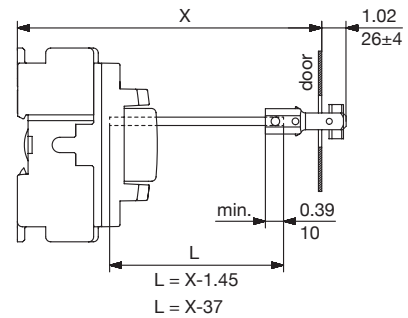
h minimum dimension	Handle type M		Handle type S	
	In	mm	In	mm
FUSERBLOC CD 30 A CC	4.73	120	5.31	135
FUSERBLOC CD 30 A J	5.32	135	5.98	152
FUSERBLOC 30 A CC	-	-	5.98	152
FUSERBLOC 30 A J - 60 A J	-	-	7.04	179
FUSERBLOC 100 A J	-	-	7.04	179
FUSERBLOC 200 A J	-	-	7.40	188
FUSERBLOC 400 A J	-	-	6.96	177
FUSERBLOC 600 A J - 800 A L	-	-	10.11	255

Shaft trimming length (= dimension L)

M type selector handle
 FBCC30CDT
 FBCC30SNCDT
 FBJ30CDT
 FBJ30SNCDT



S type pistol handle
 FBCC30CDT
 FBCC30SNCDT
 FBJ30CDT
 FBJ30SNCDT



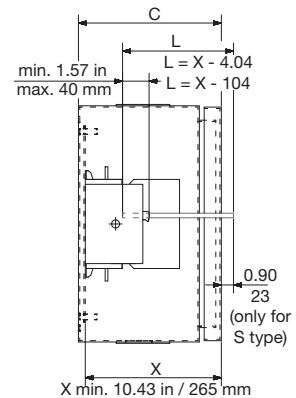
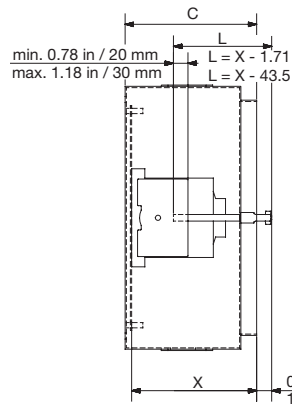
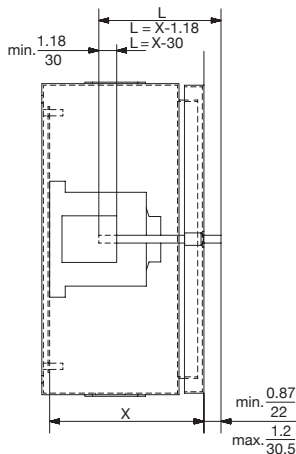
S type pistol handle

FBCC30U
 FBCC304U
 FBJ30U
 FBJ304U
 FBJ60U

FBJ604U
 FBJ100U
 FBJ1004U
 FBJ200U
 FBJ2004U

FBJ400U
 FBJ4004U

FBJ600U
 FBJ6004U
 FBL800U
 FBL8004U

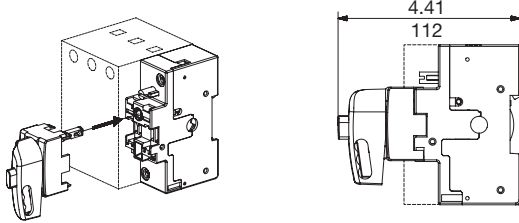


FUSERBLOC

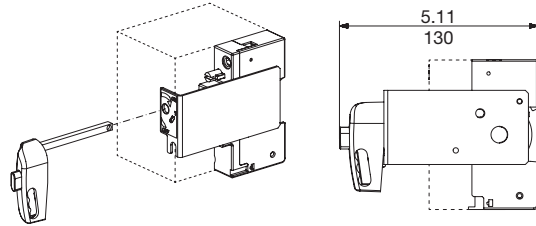
Dimensions (in / mm) for direct front operation handles

Direct pistol handle

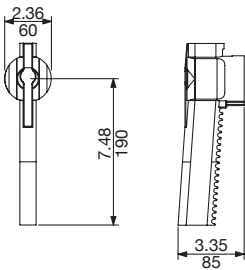
HADB1



HADB2



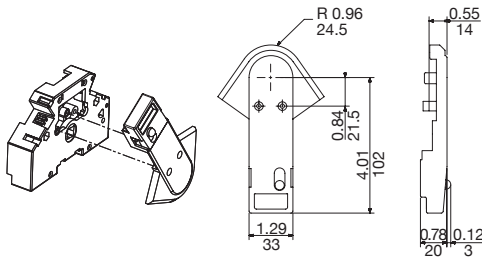
HADB5U



Dimensions (in / mm) for direct side operation handles

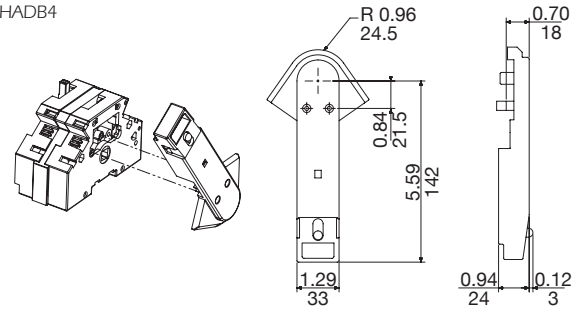
Direct pistol handle (short version)

HADB3



Direct pistol handle (bus version)

HADB4

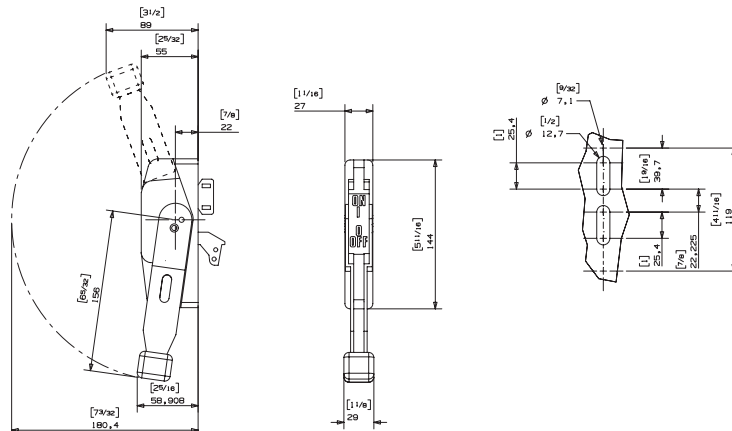


Dimensions (in / mm) for flange operation handles

Square D type flange handle - class 9422 (A1 & A2)

HAF-OP1

HAF-OP2

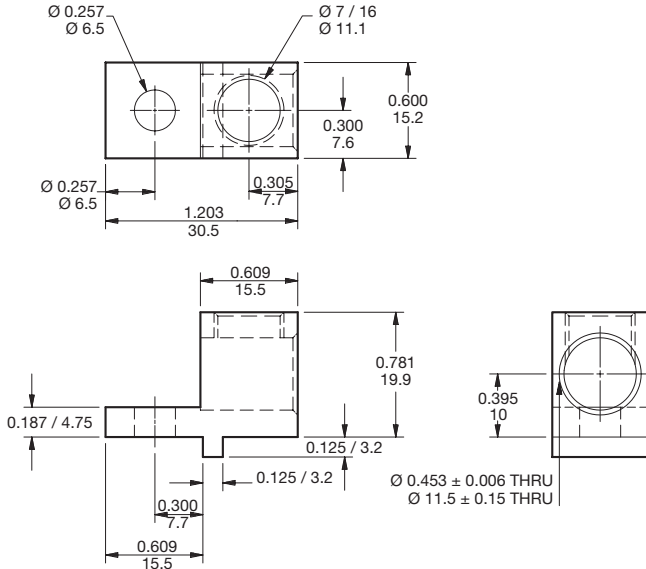


FUSERBLOC

Dimensions (in / mm) for terminal lugs

TL100

For use with FBJ 100

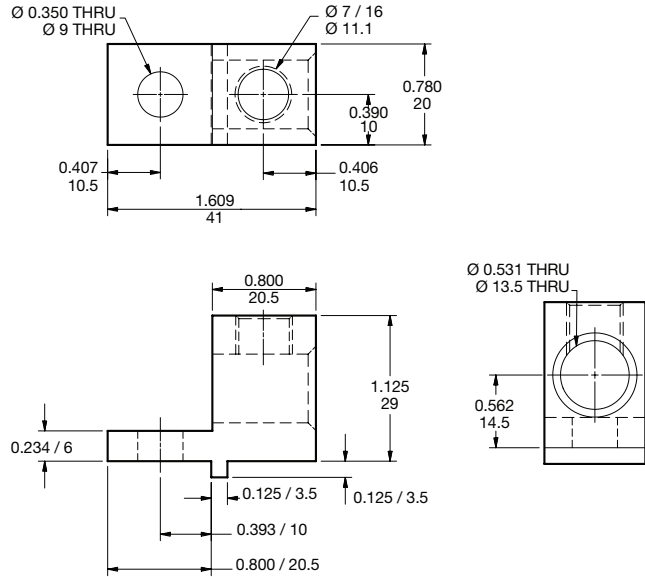


1 wire 2/0 - #14

Note: for FBJ100, please use HM bolts 6 x 20 mm class 6.8.

TL200

For use with FBJ 200

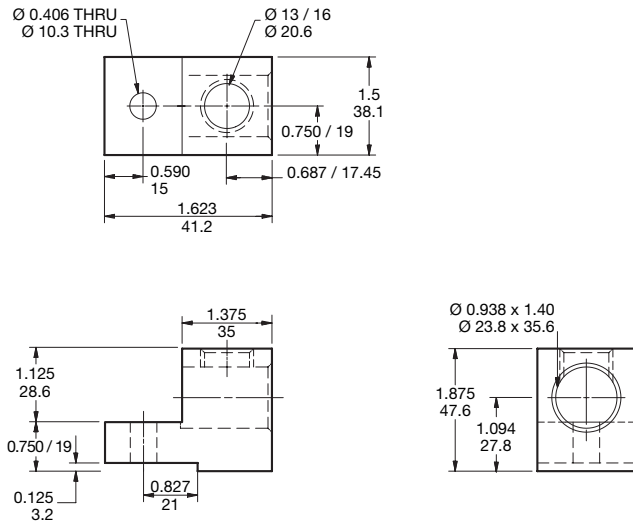


1 wire 3/0 - #6

Note: for FBJ200, please use HM bolts 8 x 20 mm class 6.8.

TL400

For use with FBJ 400

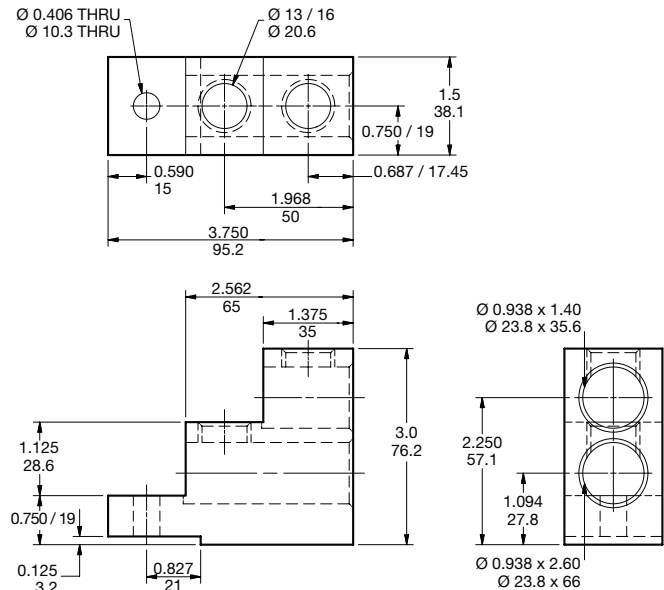


1 wire 600 MCM-2

Note: for FBJ400, please use HM bolts 10 x 30 mm class 6.8.

TL600

For use with FBJ 600U and FBJ 800U



2 wire 600 MCM-2