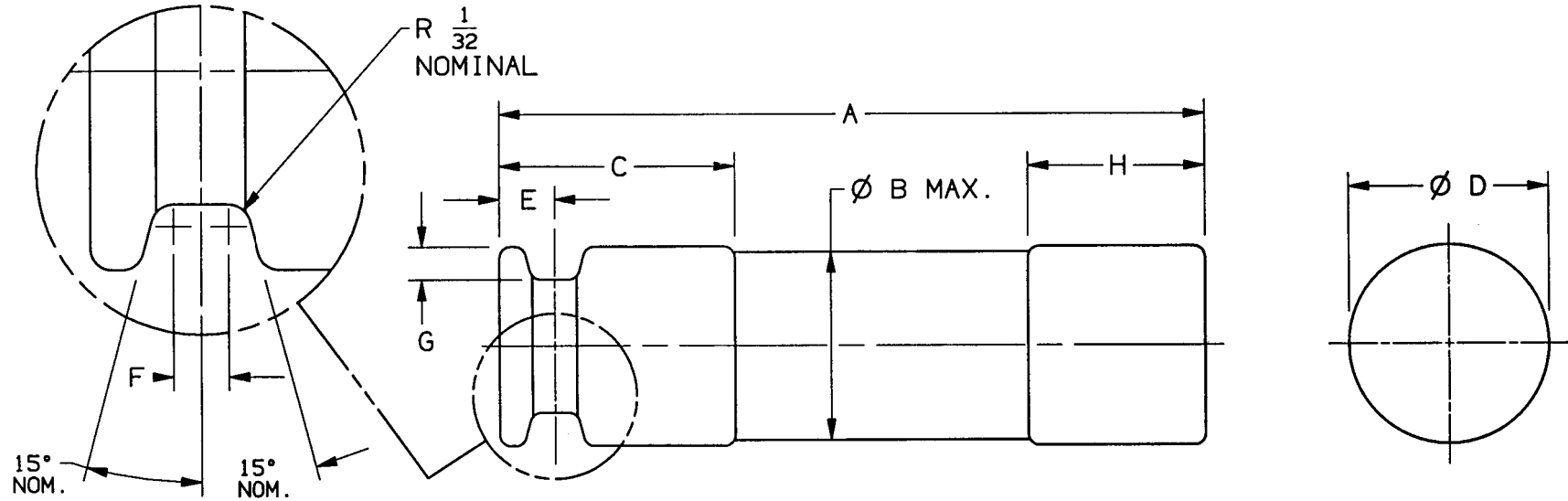


REV	DATE	ECO	DESCRIPTION	BY	CK	APP
-	9-23-98	N/A	INIT RELEASE	GCT	N/A	N/A

REJECTION GROOVE
DETAIL



CATALOG NUMBER	AMP. -RATING	A ±1/32	Ø B	C	Ø D ±.008	E	F	G ±.008	H MIN
TGN(AMP RATING)	0-30	2	17/32	.668	9/16	5/32 ^{+.008} _{-.016}	5/64 ^{+.031} _{-.008}	.093	.500
TGN(AMP RATING)	31-60	3	25/32	.794	13/16	3/16 ^{+.008} _{-.016}	3/32 ^{+.031} _{-.008}	.093	.625

NOTE: FERRULES PLATED



GOULD

374 MERRIMAC STREET
NEWBURYPORT, MA 01950

PRODUCT MANAGER

DESIGN ENGINEER

SIGN: *Kent Wacker*
DATE: 11/13/98

SIGN: *J. O'Shields*
DATE: 10-27-98

TELECOM

TGN(AMP)
0-60A 170VDC

OUTLINE DIMENSIONS
NOT TO BE USED FOR PRODUCTION

700405