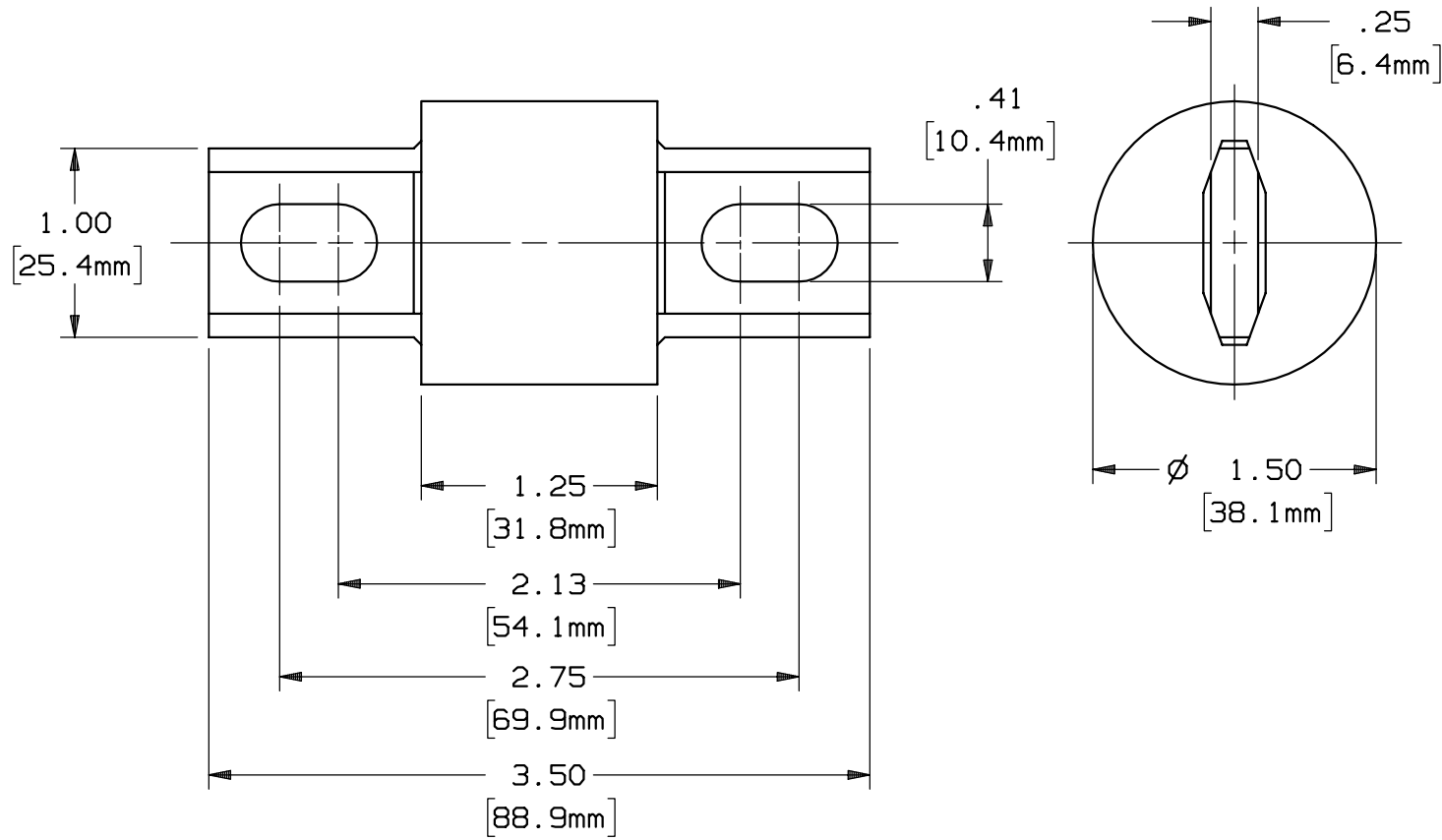


REV	DATE	ECO	DESCRIPTION	BY	CK	APP
-	11-13-98	N/A	INIT RELEASE	GCT	N/A	N/A
A	4/30/02	N/A	ADDED CHAMFER TO TERMINALS	GCT	N/A	N/A



MERSEN USA NEWBURYPORT-MA, LLC
 374 MERRIMAC STREET
 NEWBURYPORT, MA 01950

PRODUCT MANAGER

DESIGN ENGINEER

SIGN:
DATE:

SIGN:
DATE:

TELECOM

TGL (TYPE)
 CN-CZH 170VDC

OUTLINE DIMENSIONS
 NOT TO BE USED FOR PRODUCTION

700408