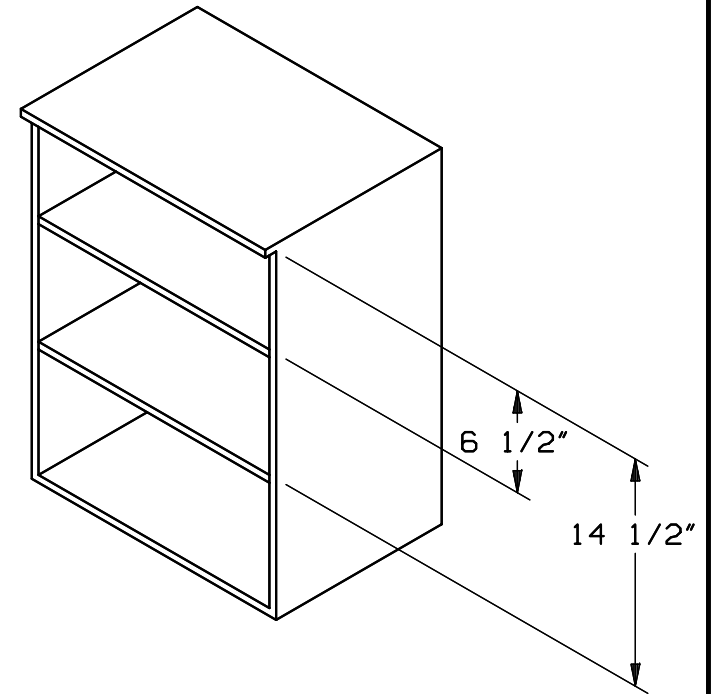
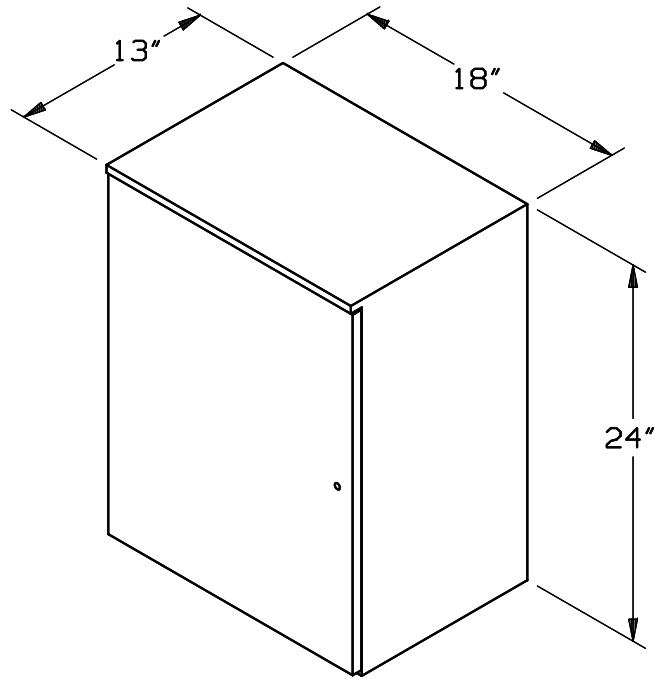


-	11/20/98	NA	INITIAL RELEASE	CRP	NA	NA
---	----------	----	-----------------	-----	----	----



MATERIAL: 20 Ga CRS
 HINGE .040 THK STEEL
 3/32 PIN 1" WIDE CONT.

GOULD 374 MERRIMAC STREET
 NEWBURYPORT, MA 01950

PRODUCT MANAGER

DESIGN ENGINEER

SIGN:
 DATE:

SIGN:
 DATE:

GSFC-M
 CABINET

OUTLINE DIMENSIONS
 NOT TO BE USED FOR PRODUCTION

700417