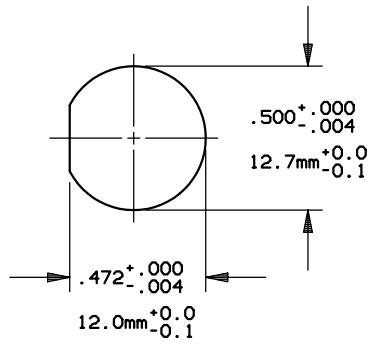
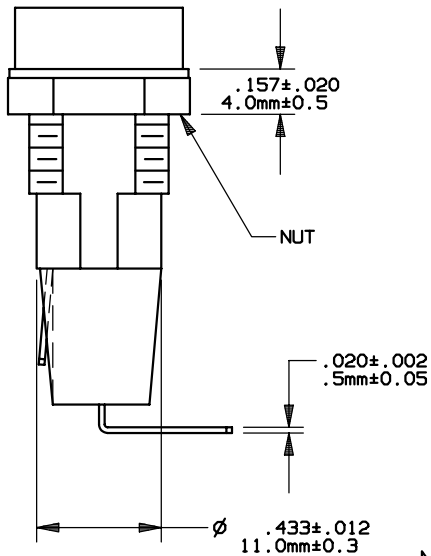
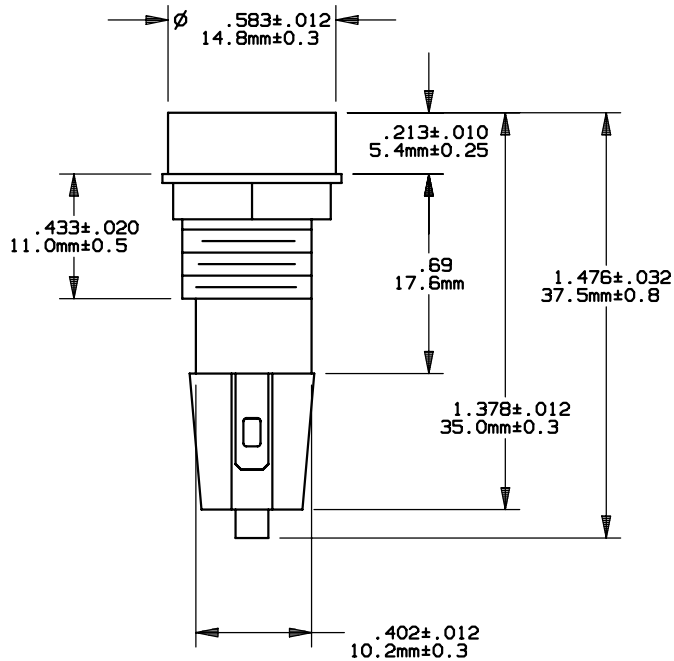
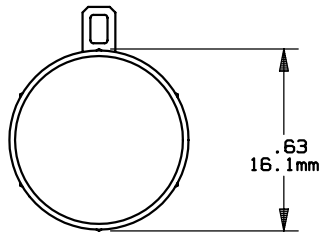


| REV | DATE     | ECO | DESCRIPTION     | BY  | CK | APP |
|-----|----------|-----|-----------------|-----|----|-----|
| -   | 10-21-05 | NA  | INITIAL RELEASE | LDB | NA | NA  |



MOUNTING HOLE

NOTE:

1. INSULATING BODY: PC UL94-V0 COVER PBT UL94V0



FERRAZ SHAWMUT INC.  
374 MERRIMAC STREET  
NEWBURYPORT, MA 01950

PRODUCT MANAGER  
SIGN:  
DATE:

DESIGN ENGINEER  
SIGN:  
DATE:

GPM-A9  
FUSE HOLDER 5X20mm  
6.3A 250V

OUTLINE DIMENSIONS  
NOT TO BE USED FOR PRODUCTION

701220