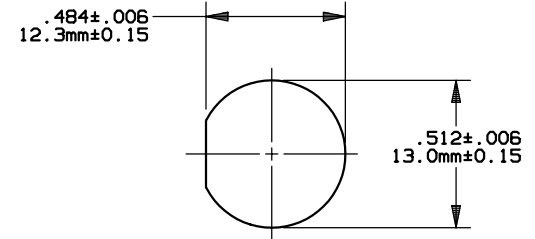
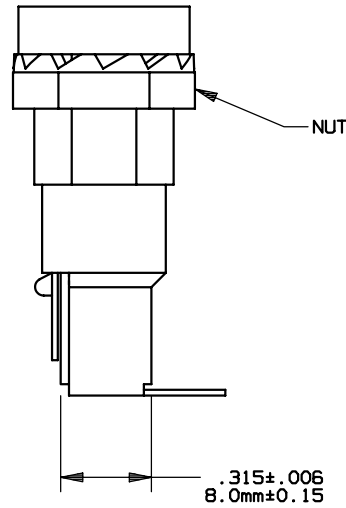
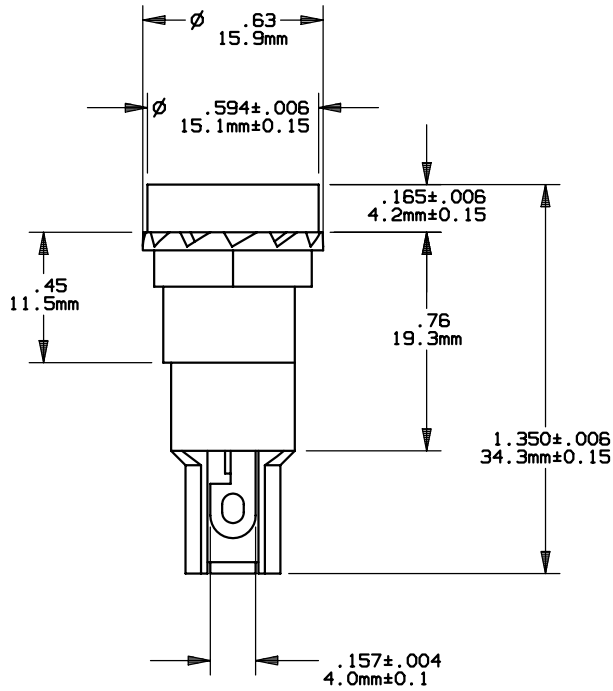
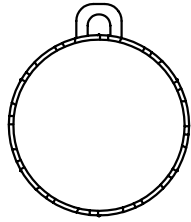


REV	DATE	ECO	DESCRIPTION	BY	CK	APP
-	10-21-05	NA	INITIAL RELEASE	LDB	NA	NA



MOUNTING HOLE

NOTE:

- 1. INSULATING BODY: BAKELITE



FERRAZ SHAWMUT INC.
374 MERRIMAC STREET
NEWBURYPORT, MA 01950

PRODUCT MANAGER

DESIGN ENGINEER

SIGN:
DATE:

SIGN:
DATE:

GPM-A11
FUSE HOLDER 5X20mm
10A 250V

OUTLINE DIMENSIONS
NOT TO BE USED FOR PRODUCTION

701219