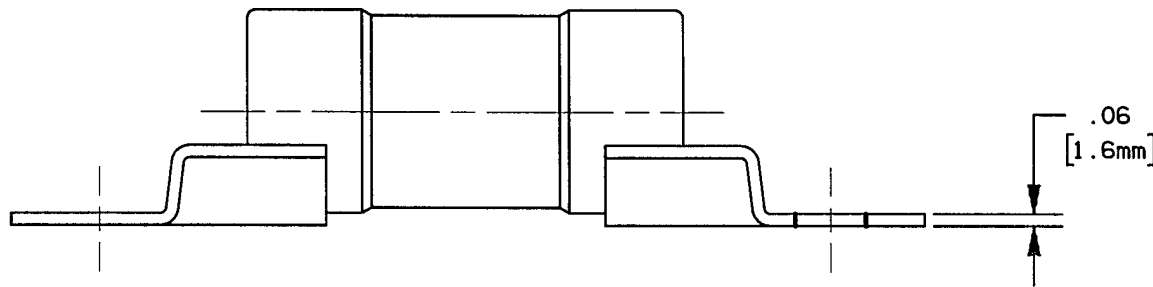
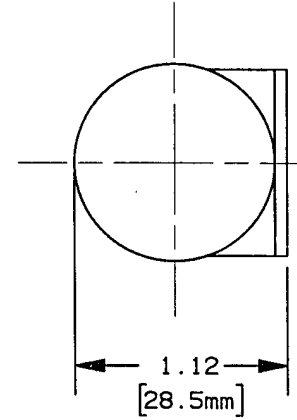
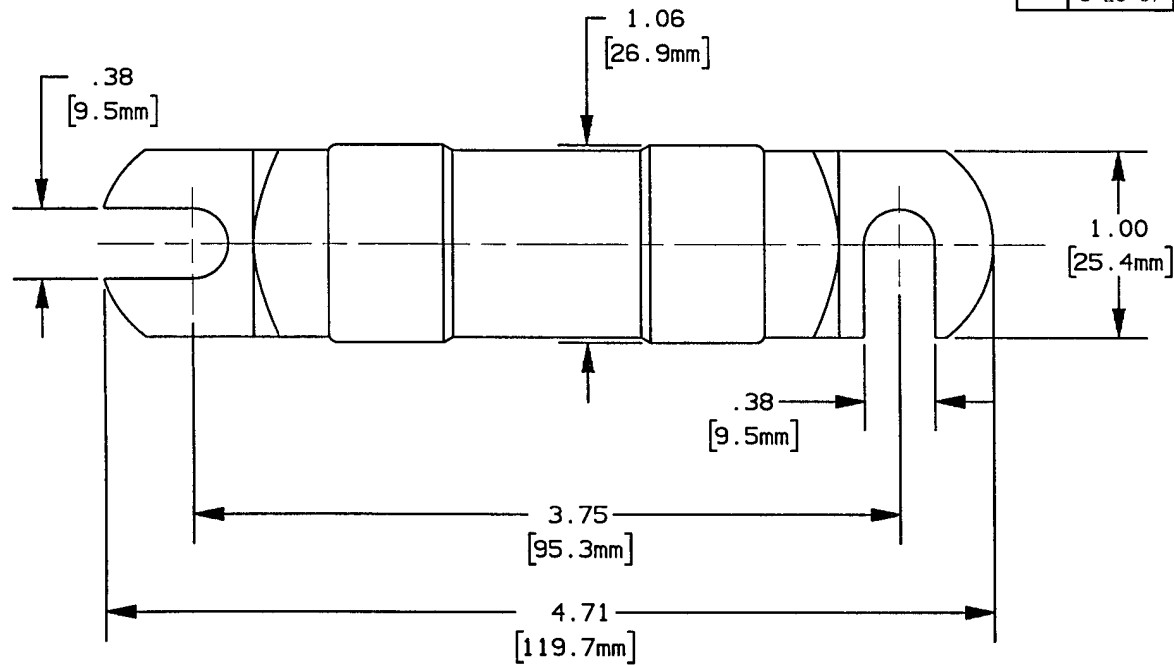


CONTROL No : \_\_\_\_\_

REV	DATE	ECO	DESCRIPTION	BY	CK	APP
-	5-28-97	N/A	INIT RELEASE	DBG	N/A	N/A



500A	ALS500
450A	ALS450
400A	ALS400
350A	ALS350
300A	ALS300
250A	ALS250
225A	ALS225
200A	ALS200
175A	ALS175
150A	ALS150
100A	ALS100
AMP RATING	CATALOG NUMBER

**GOULD** 374 MERRIMAC STREET  
NEWBURYPORT, MA 01950

PRODUCT MANAGER

DESIGN ENGINEER

SIGN: *Kent Waech*  
DATE: 8/19/97

SIGN: *L. Shields*  
DATE: 8/15/97

TYPE ALS

100A-500A

OUTLINE DIMENSIONS  
NOT TO BE USED FOR PRODUCTION

700279