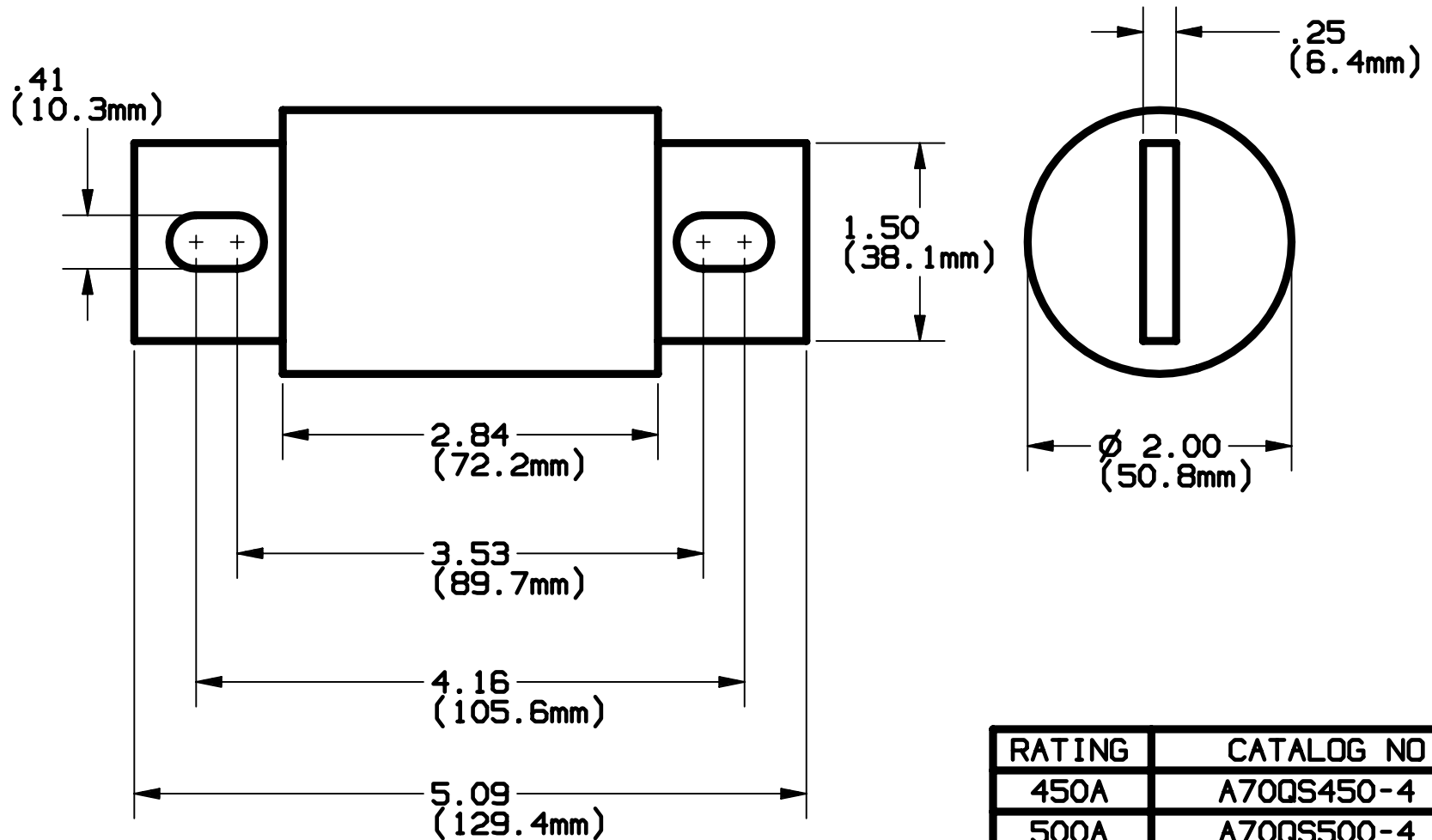


106085



RATING	CATALOG NO.
450A	A70QS450-4
500A	A70QS500-4
600A	A70QS600-4



**GOULD** 374 MERRIMAC STREET  
NEWBURYPORT, MA 01950

PRODUCT MANAGER

DESIGN ENGINEER

SIGN:  
DATE:

SIGN:  
DATE:

FORM 101 TYPE 4  
450-600A 700V

OUTLINE DIMENSIONS  
NOT TO BE USED FOR PRODUCTION

106085