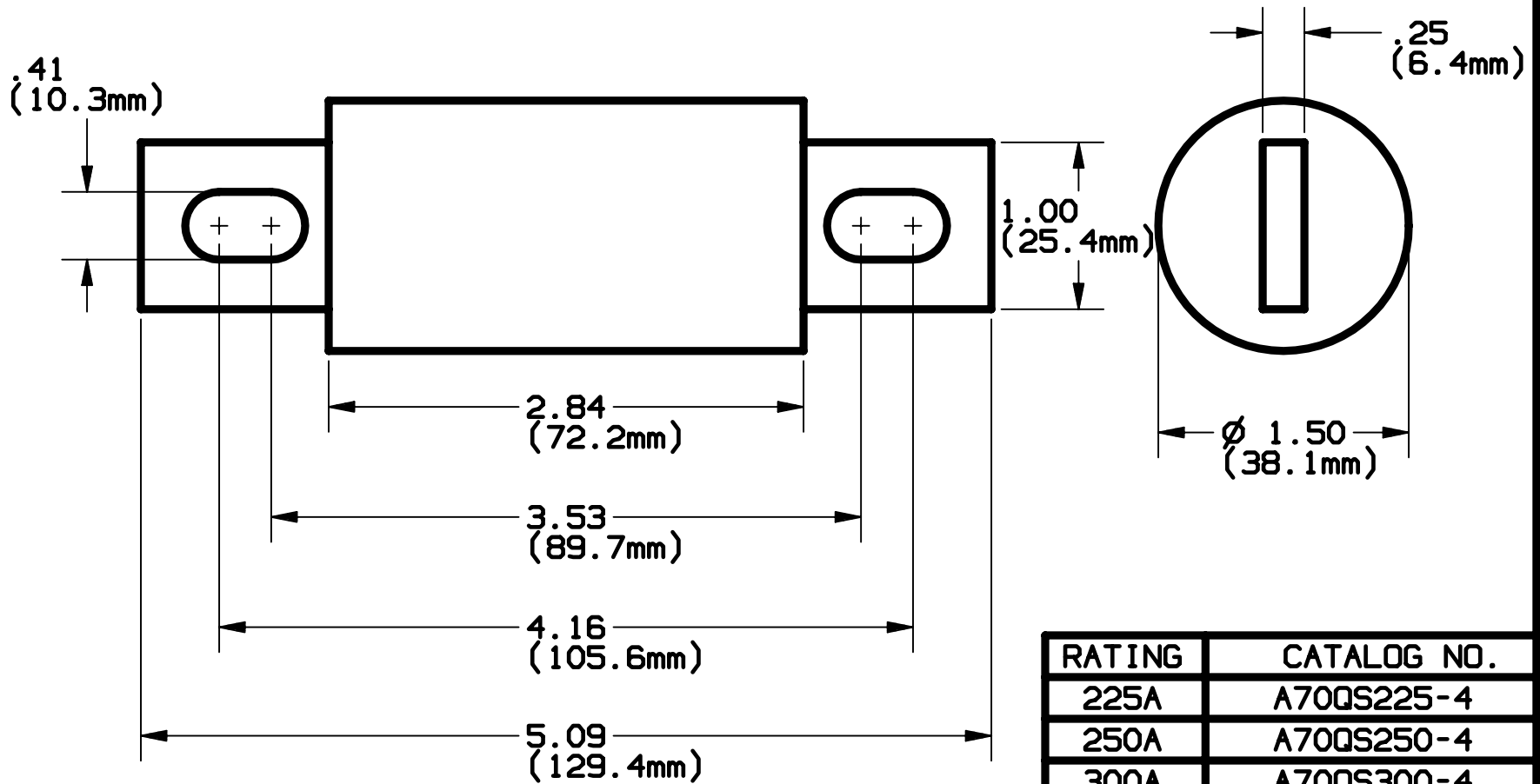


106084



RATING	CATALOG NO.
225A	A70QS225-4
250A	A70QS250-4
300A	A70QS300-4
350A	A70QS350-4
400A	A70QS400-4



**GOULD** 374 MERRIMAC STREET  
NEWBURYPORT, MA 01950

PRODUCT MANAGER

DESIGN ENGINEER

SIGN:  
DATE:

SIGN:  
DATE:

FORM 101 TYPE 4

225-400A 700V

OUTLINE DIMENSIONS  
NOT TO BE USED FOR PRODUCTION

106084