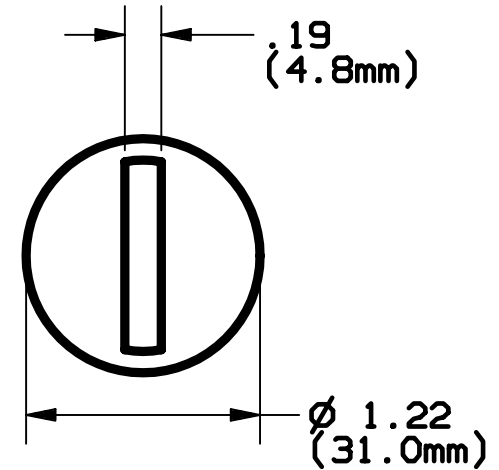
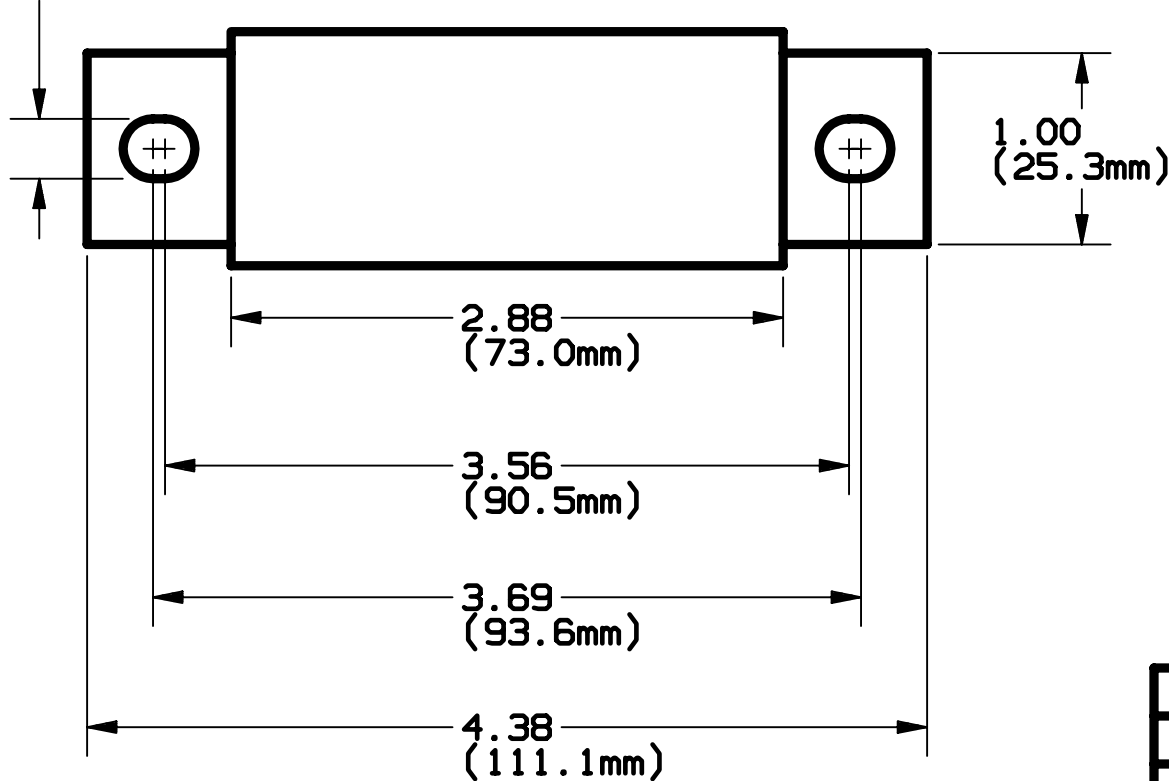


106083

.31
(7.9mm)



RATING	CATALOG NO.
125A	A70QS125-4
150A	A70QS150-4
175A	A70QS175-4
200A	A70QS200-4



GOULD 374 MERRIMAC STREET
NEWBURYPORT, MA 01950

PRODUCT MANAGER

DESIGN ENGINEER

SIGN:
DATE:

SIGN:
DATE:

FORM 101 TYPE 4

125-200A 700V

OUTLINE DIMENSIONS
NOT TO BE USED FOR PRODUCTION

106083