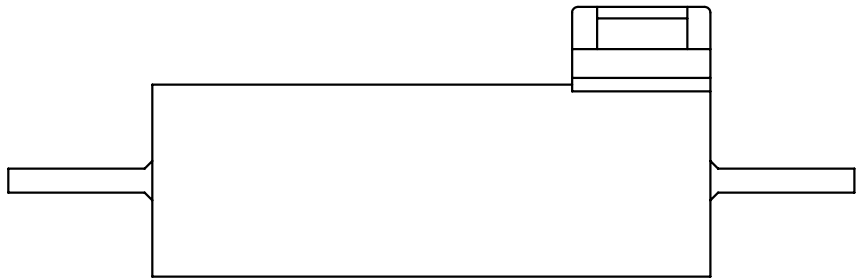
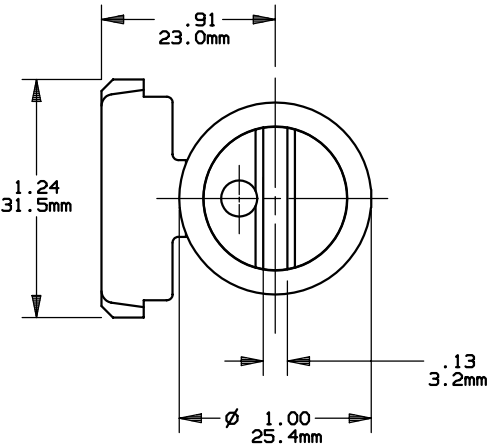
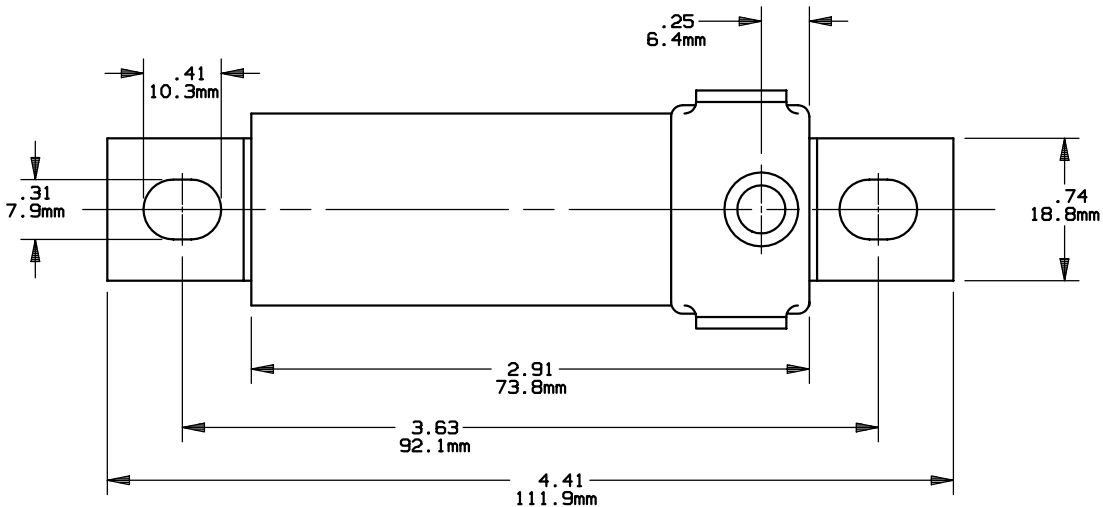



REV	DATE	ECO	DESCRIPTION	BY	CK	APP
A	3-9-07	NA	REDRAWN-WAS ON 18288 REV - HAND DRAWING	LDB	NA	NA



 MERSEN USA NEWBURYPORT-MA, LLC 374 MERRIMAC STREET NEWBURYPORT, MA 01950		A60X(80,100)-4TA FORM 101 80-100A 600V	OUTLINE DIMENSIONS NOT TO BE USED FOR PRODUCTION
PRODUCT MANAGER SIGN: DATE:	DESIGN ENGINEER SIGN: DATE:		18288