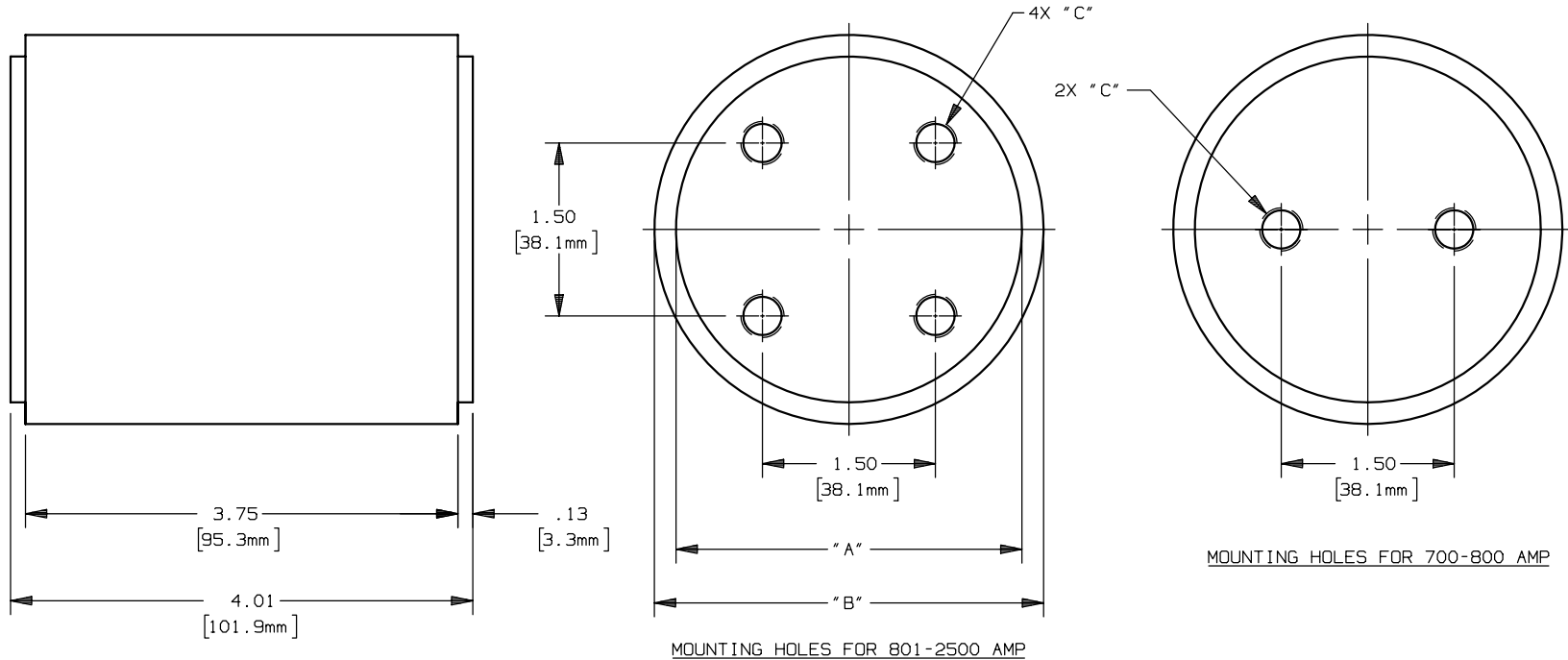


REV	DATE	ECO	DESCRIPTION	BY	CK	APP
E	2/15/05	NA	"B" DIM. 4.38 WAS 4.50 & 2.88 WAS 3.00	ELO	NA	NA



A60X OR Z(1201-2500)-128 OR 128A	3.75[95.3mm]	4.38[111.1mm]	∅ .500-20 X ∇ .50
A60X OR Z(801-1200)-128 OR 128A	3.00[76.2mm]	3.38[85.7mm]	∅ .375-24 X ∇ .50
A60X OR Z(700-800)-128 OR 128A	2.50[63.5mm]	2.88[73.0mm]	∅ .375-24 X ∇ .50
CATALOG NUMBER	<sup>A</sup> BLOCK DIA.	<sup>B</sup> TUBE DIA.	<sup>C</sup> THREADED HOLES

	MERSEN USA NEWBURYPORT-MA, LLC 374 MERRIMAC STREET NEWBURYPORT, MA 01950
	PRODUCT MANAGER      DESIGN ENGINEER
SIGN: DATE:	SIGN: DATE:

A60X OR Z(700-2500)-128 OR 128A

FORM 1010

700-2500A 600V

OUTLINE DIMENSIONS  
NOT TO BE USED FOR PRODUCTION

16130