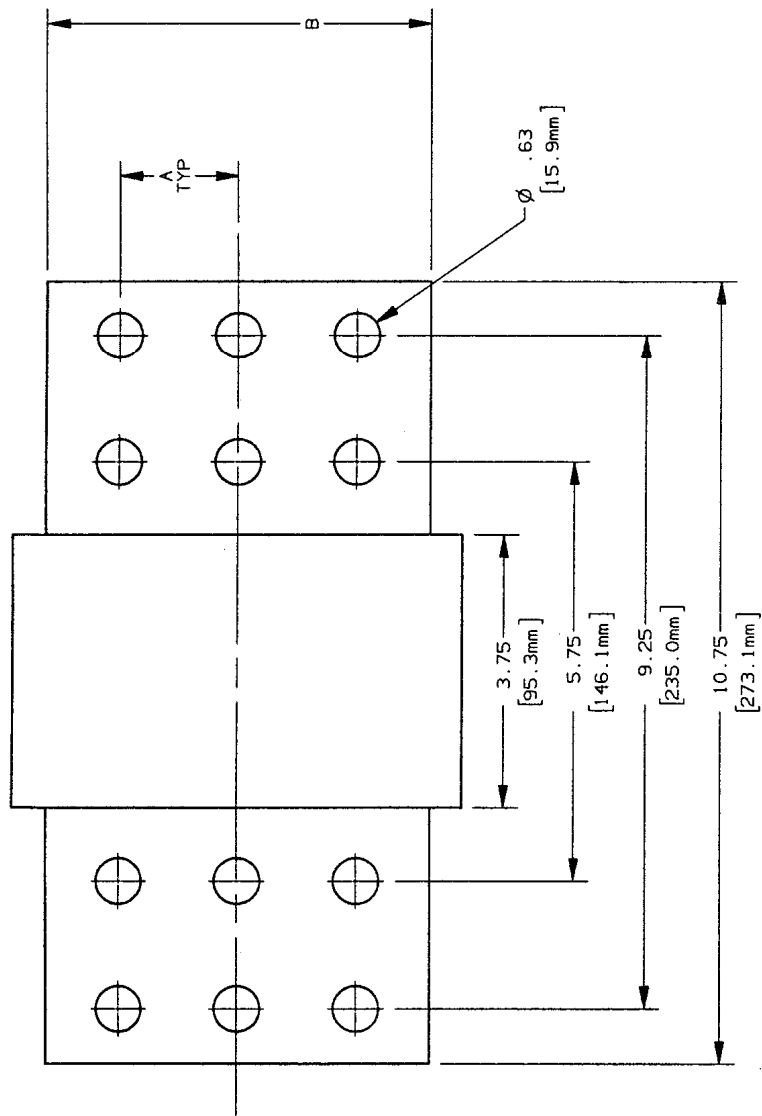
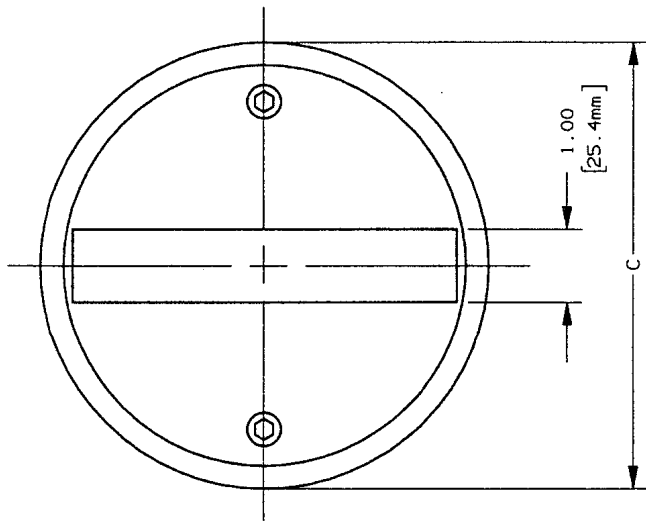


CONTROL No : 470

| REV | DATE   | ECO | DESCRIPTION   | BY  | CHK | APP |
|-----|--------|-----|---|-----|-----|-----|
| B   | 4/5/04 | NA  | REDRAWN-WAS ON 14141 REV A<br>DIM C WAS 6.25, 7.125 | ELO | NA  | NA  |



| AMPERE RATING | CATALOG NO.                              | A             | B              | C              |
|---------------|--|---------------|----------------|----------------|
| 4001-5000     | A4BY (AMP. RATING)<br>A4BX (AMP. RATING) | 1.63<br>41.28 | 5.25<br>133.35 | 6.13<br>155.58 |
| 6000          | A4BY (AMP. RATING)<br>A4BX (AMP. RATING) | 1.63<br>41.28 | 5.75<br>146.05 | 7.00<br>177.80 |

**Ferraz Shawmut**

FERRAZ SHAWMUT INC.  
374 MERRIMAC STREET  
NEWBURYPORT, MA 01950

PRODUCT MANAGER

DESIGN ENGINEER

SIGN: *[Signature]*  
DATE: 4/14/04

SIGN: *[Signature]*  
DATE: 4/13/04

A4BY/X(4001-6000)  
FORM 480  
4001-6000A 600VAC, 250VDC

OUTLINE DIMENSIONS  
NOT TO BE USED FOR PRODUCTION

14141