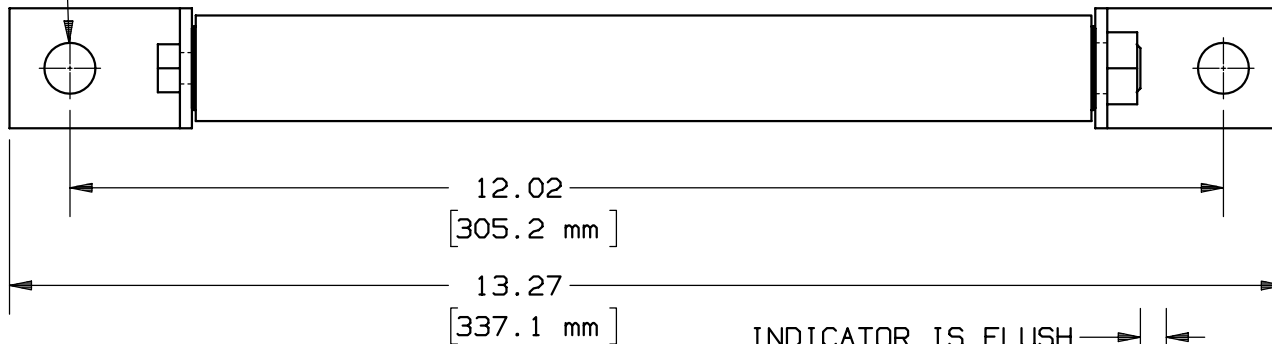


REV	DATE	ECO	DESCRIPTION	BY	CK	APP
-	7-2-03	NA	INITIAL RELEASE	KMH		NA

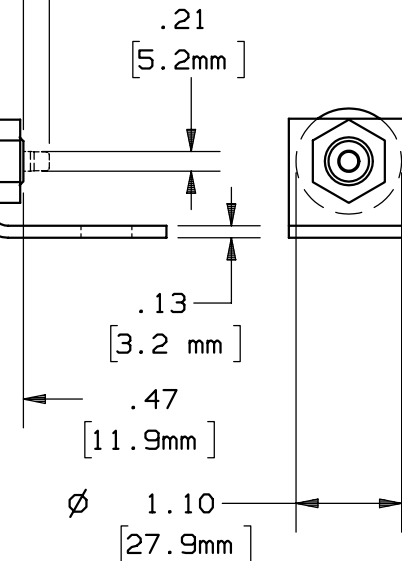
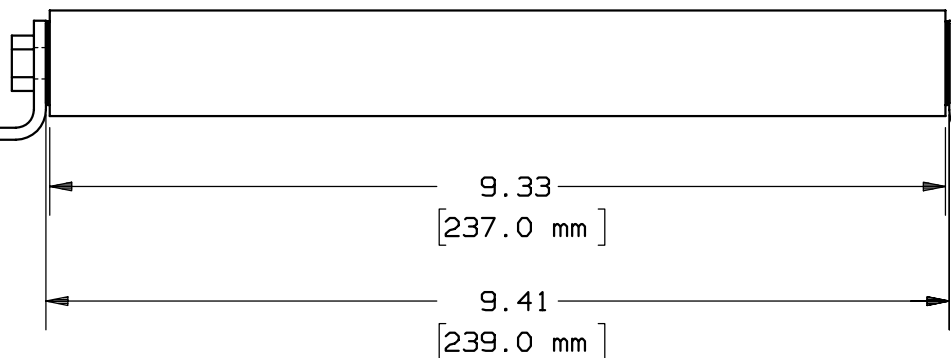
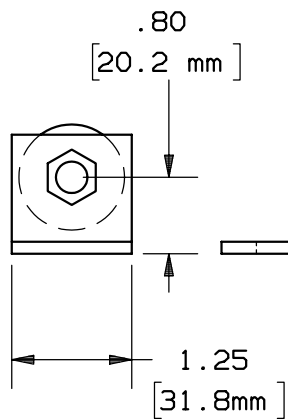
2X ϕ .53
[13.5 mm]



INDICATOR IS FLUSH
BEFORE FUSE BLOWS.
EXTENDS .27

[6.9 mm]

AFTER FUSE BLOWS



MERSEN USA NEWBURYPORT-MA, LLC
374 MERRIMAC STREET
NEWBURYPORT, MA 01950

MEDIUM VOLTAGE CAPACITOR FUSE

OUTLINE DIMENSIONS
NOT TO BE USED FOR PRODUCTION

PRODUCT MANAGER

DESIGN ENGINEER

A300C(50 THRU 100)-60

700996

SIGN:

SIGN:

50 - 100 Amps 3.0 kV

DATE:

DATE: