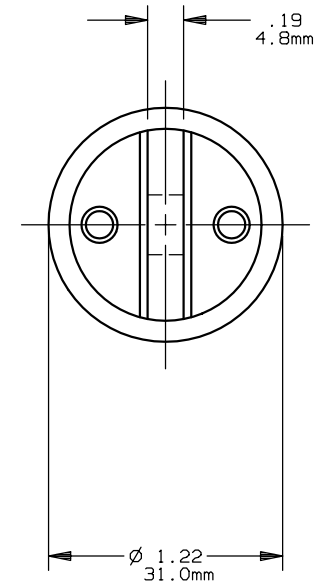
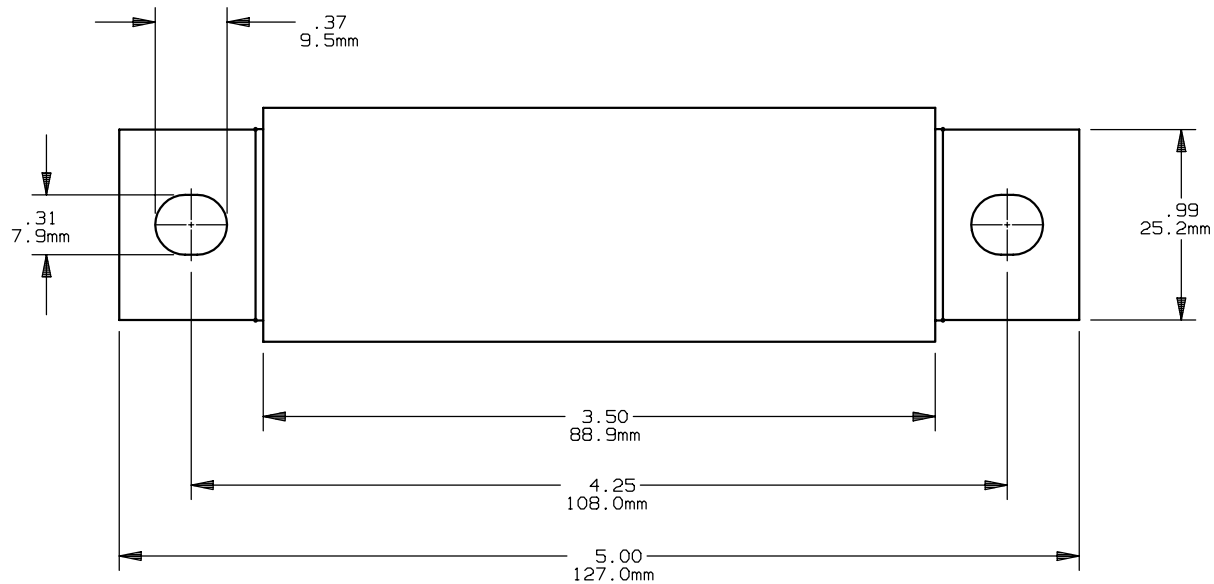


REV	DATE	ECO	DESCRIPTION	BY	CK	APP
N	2-13-06	NA	REDRAWN-WAS ON 16209 REV M	LDB	NA	NA



MERSEN USA NEWBURYPORT-MA, LLC
 374 MERRIMAC STREET
 NEWBURYPORT, MA 01950

PRODUCT MANAGER

DESIGN ENGINEER

SIGN:
 DATE:

SIGN:
 DATE:

A100P(65-100)-4

FORM 101

65-100A 1000V

OUTLINE DIMENSIONS
 NOT TO BE USED FOR PRODUCTION

701280