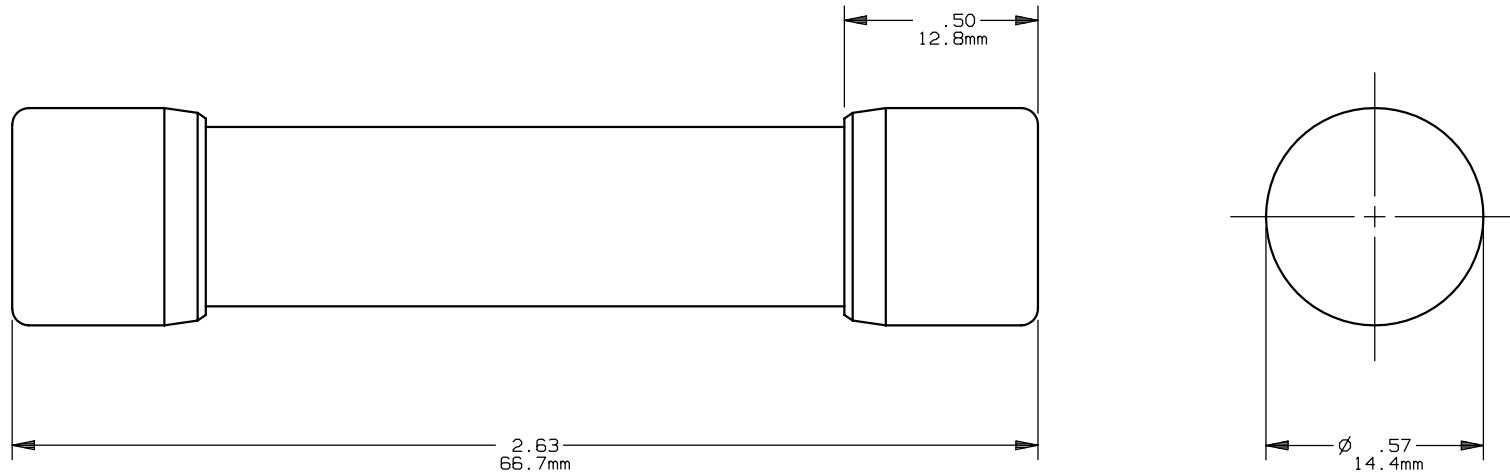


REV	DATE	ECO	DESCRIPTION	BY	CK	APP
N	2-13-06	NA	REDRAWN-WAS ON 16209 REV M REMOVED A100P(35-600)-4	LDB	NA	NA



MERSEN USA NEWBURYPORT-MA, LLC  
374 MERRIMAC STREET  
NEWBURYPORT, MA 01950

PRODUCT MANAGER

DESIGN ENGINEER

SIGN:  
DATE:

SIGN:  
DATE:

A100P(15-30)-1

FORM 101

15-30A 1000V

OUTLINE DIMENSIONS  
NOT TO BE USED FOR PRODUCTION

16209