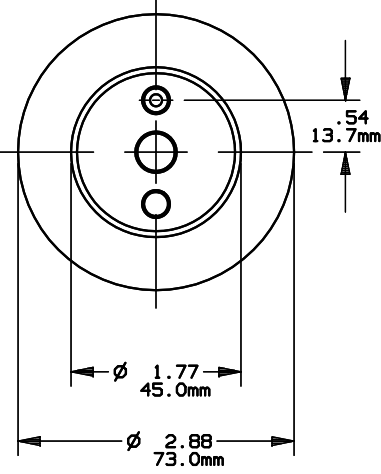
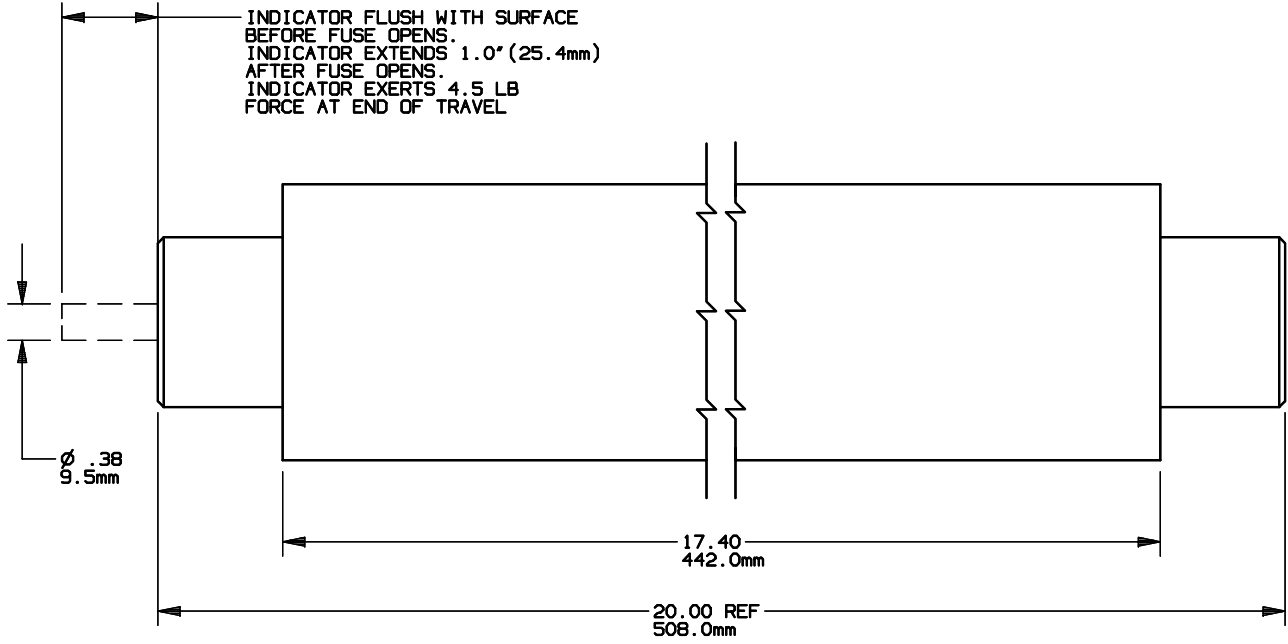


-	6/6/02	NA	INITIAL RELEASE	CRP	NA	NA
---	--------	----	-----------------	-----	----	----



19R	A072D1DSR0-19R
16R	A072D1DSR0-16R
13R	A072D1DSR0-13R
12R	A072D1DSR0-12R
9R	A072D1DSR0-9R
6R	A072D1DSR0-6R
5R	A072D1DSR0-5R
4R	A072D1DSR0-4R
3R	A072D1DSR0-3R
2R	A072D1DSR0-2R
RATING	CATALOG NUMBER

LOGO <input checked="" type="checkbox"/>	FERRAZ SHAWMUT INC. 374 MERRIMAC STREET NEWBURYPORT, MA 01950	
	PRODUCT MANAGER SIGN: DATE:	DESIGN ENGINEER SIGN: DATE:

MEDIUM VOLTAGE "R" RATED
 MOTOR CIRCUIT BACKUP
 CURRENT LIMITING FUSE
 IEC DIN TYPE 2R TO 19R 7.2kVMAX

OUTLINE DIMENSIONS
 NOT TO BE USED FOR PRODUCTION

700730