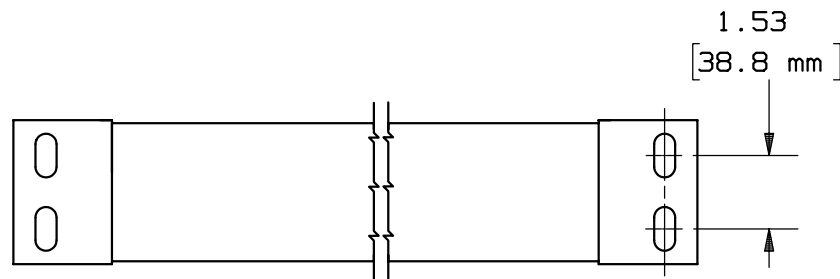
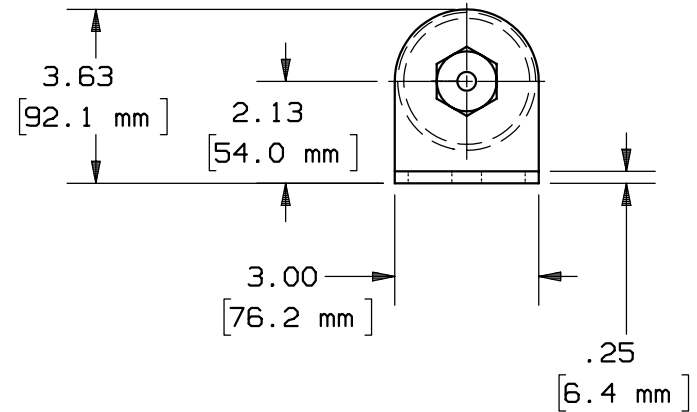
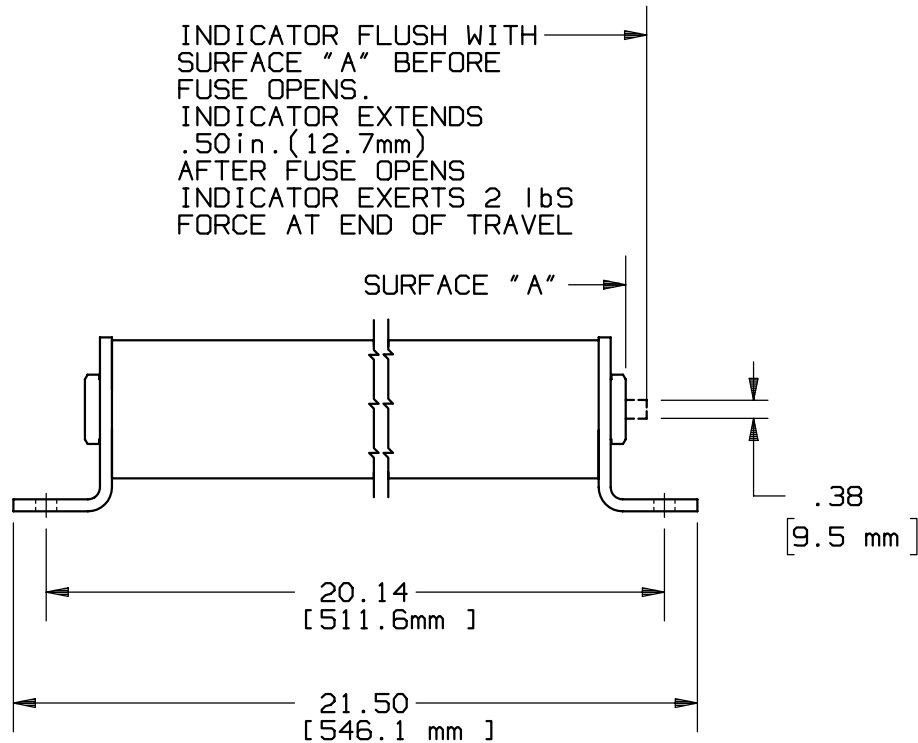


REV	DATE	ECO	DESCRIPTION	BY	CK	APP
-	12-15-03	NA	INITIAL RELEASE	KMH	NA	NA

INDICATOR FLUSH WITH SURFACE "A" BEFORE FUSE OPENS.
 INDICATOR EXTENDS .50in. (12.7mm) AFTER FUSE OPENS
 INDICATOR EXERTS 2 lbs FORCE AT END OF TRAVEL



RATING	CATALOG NO.
19R	A072B1D0R0-19R

OUTLINE DIMENSIONS
 NOT TO BE USED FOR PRODUCTION

701029



MERSEN USA NEWBURYPORT-MA, LLC
 374 MERRIMAC STREET
 NEWBURYPORT, MA 01950

MEDIUM VOLTAGE AMP-TRAP
 R-RATED MOTOR CIRCUIT BACKUP
 CURRENT LIMITING FUSE
 BOLT-IN SERIES
 19R 7.2kV MAX

PRODUCT MANAGER	DESIGN ENGINEER
SIGN: DATE:	SIGN: DATE: