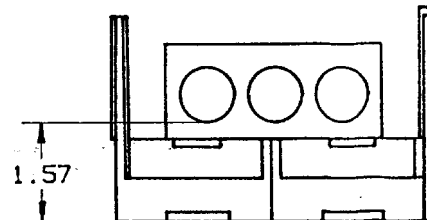
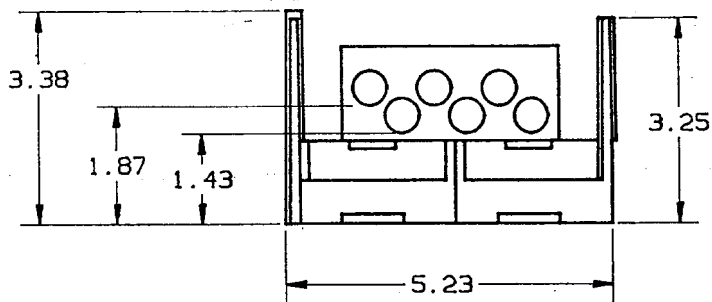


REV	DESCRIPTION	DATE	APPD
00	RELEASED	12/28/91	
01	REVISED AND REDRAWN PER ECO	6/5/91	<i>BLM</i>

P/N	WIRE RANGE & TORQUE (IN-LBS)			
	PRIMARY		SECONDARY	
	RANGE	TORQUE	RANGE	TORQUE
800011	500-#4	500	4/0-#10	150



REFERENCE
MAR 16 1992

P/N 800011 (CU ONLY)

1. MATL COMPOSITION AND RATING:
BASE-POLYCARBONATE-125 °C RTI
CONNECTOR-COPPER ALLOY-TIN PLATED.

NOTES: UNLESS OTHERWISE SPECIFIED

NOTES UNLESS OTHERWISE SPECIFIED - ALL DIMENSIONS ARE IN INCHES - STAMP OR ETCH DWG. NO. ON PART - REMOVE ALL BURRS AND SHARP EDGES - TOLERANCES: XXXX+.0005; XXX+.005; XX±.01; X±.04; ANGLES 40°30'		MATERIAL		GOULD SHAWMUT GOULD SHAWMUT P.O. BOX 729 MARBLE FALLS, TX 78654	
		FINISH			
THIS DRAWING AND ALL INFORMATION THEREON IS THE PROPERTY OF GOULD, IS CONFIDENTIAL, MUST NOT BE COPIED OR MADE PUBLIC UNLESS AUTHORIZED AND IS SUBJECT TO RETURN ON DEMAND.		SIGNATURES		DATE	
		DRWN BLM		4/5/91	
ASSY DWG USED ON		REF OR SIM DWG		CHKD	
				ENGD	
				APPD <i>Poirargone</i> 4/5/91	
				PRODUCT INFO TITLE PDB. (3) 500MCM-#4 X (6) 4/0-#10 1 POLE 600V	
				DWG NO 0580050	
				SCALE NONE	
				REV 01	
				FILE NO SHEET 1 of 1	