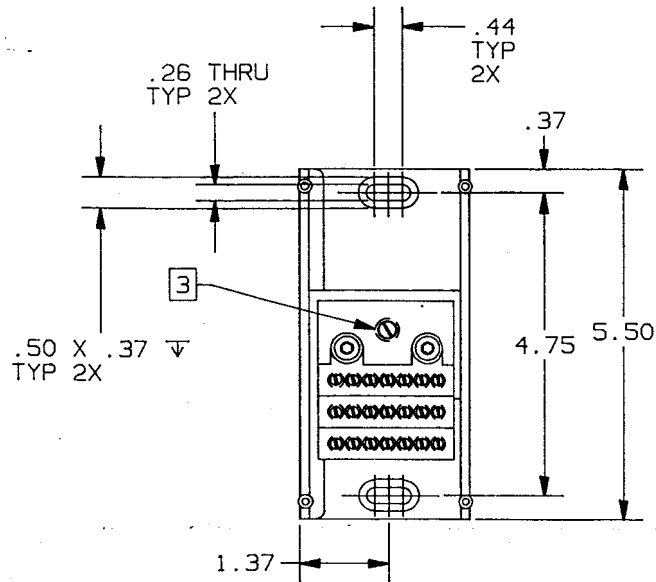
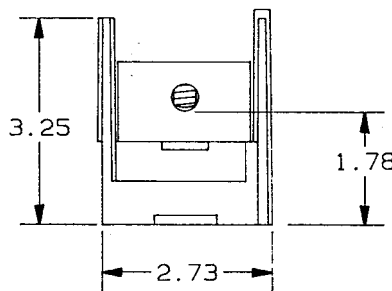
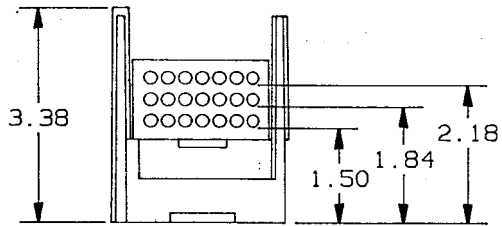


REV	DATE	ECO	DESCRIPTION	BY	CK
00	5/11/95		RELEASED		AE
01	6/30/95	1722	ADDED PN 68761, NOTES		AE



P/N	WIRE RANGE & TORQUE (IN-LBS)				UL		CSA
	PRIMARY		SECONDARY		FILE#	GUIDE #	REPORT#
	RANGE	TORQUE	RANGE	TORQUE			
68761	2/0 - #14	2/0-#3	50	#6-#14	#6	35	E73571 XCFR2 LR69363
		#4-#6	45		#8	25	
		#8	40		#10-#14	20	
		#10-#14	35				
69761	2/0 - #14	2/0-#6	120	#6-#14	#6	28	E73571 XCFR2 LR69363
		#8-#14	50		#8	25	
					#10-#14	20	



CONTROLLED COPY
ISSUED TO **Newburyport**
DATE JUL 12 1995

4. TOLERANCE $\pm .031$

3 68761 USES STD SLOTTED DRIVER
69761 USES 3/16 HEX DRIVER

2. (1) 2/0-#14 X (21) #6-#14
1 POLE, 600V.

1. MATERIAL COMPOSITION AND RATING:
BASE - THERMOPLASTIC 125°C RTI
CONNECTOR - COPPER OR ALUMINUM ALLOY
W/TIN PLATE.

NOTES: UNLESS OTHERWISE SPECIFIED

P/N 68761 (CU ONLY)
69761 (AL-CU)

	<small>GOULD INC. P.O. BOX 728 HAWLEY FALLS, TX 78854</small>		<small>TOLENANCE TO BE APPLIED UNLESS OTHERWISE SPECIFIED: .0004, .00051, .0004, .0051, .004, .011, .04, .021, 1/32, 1/16, 1/8 UNLESS OTHERWISE SPECIFIED. SPECIFIED ANGLES 45°/30° DIMENSIONS APPLY AFTER PLATING ALL SURFACES TO BE 125° UNLESS OTHERWISE SPECIFIED</small>
	<small>GRAPH BY:</small> KDS	<small>DATE:</small> 5/95	
<small>CHECKED BY:</small> PDB	<small>DATE:</small> 5/95	<small>SCALE:</small> NONE	<small>BREAK ALL SHARP EDGES THIS DRAWING AND ALL INFORMATION THEREON IS THE PROPERTY OF GOULD INC. AND IS SUBJECT TO RETURN ON DEMAND. THIS INFORMATION IS CONFIDENTIAL AND MUST NOT BE MADE PUBLIC OR COPIED UNLESS AUTHORIZED.</small>
<small>DESCRIPTION</small> PDB		<small>IDENTIFICATION NO. 1 REVISION</small> 05B0513 01	