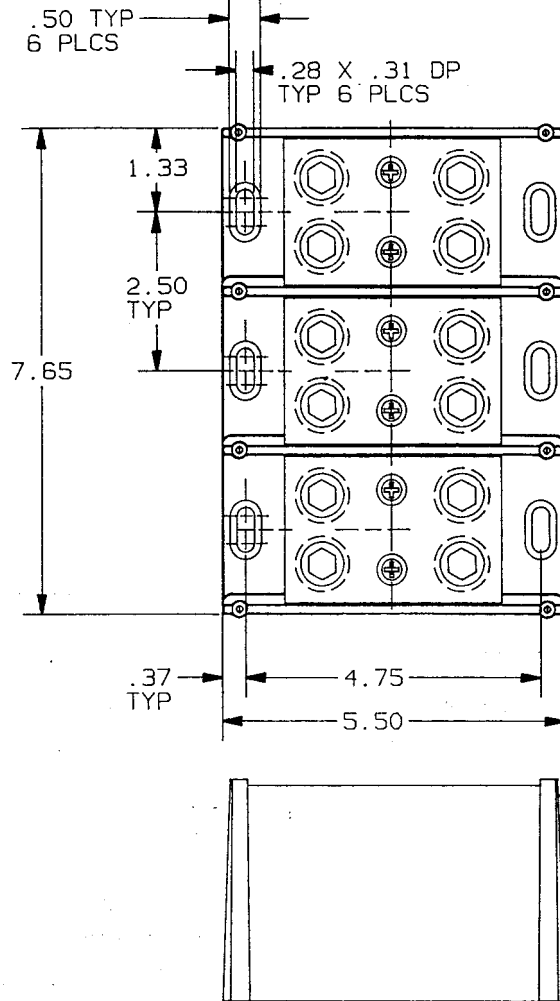
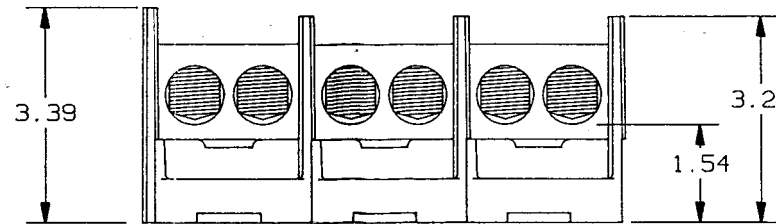


REV	DATE	ECO	DESCRIPTION	BY	CK
00	12/92		RELEASED		br/Go



P/N	WIRE RANGE & TORQUE (IN-LBS)				UL		CSA
	PRIMARY		SECONDARY		FILE #	GUIDE #	REPORT #
	RANGE	TORQUE	RANGE	TORQUE			
68653	600-#2	375	600-#2	375	E73571	XCFR2	LR69363
69653	600-#2	600	600-#2	600	E73571	XCFR2	LR15469



REFERENCE
JAN 7 1993

P/N 68653 (CU)
69653 (CU-AL)

2. (2) 600MCM - #2 X (2) 600MCM - #2, 3 POLE, 600 VOLTS

1. MATERIAL COMPOSITION AND RATING:
BASE - THERMOPLASTIC 125°C RTI
CONNECTOR - ALUMINUM OR COPPER
ALLOY, TIN PLATED

NOTES: UNLESS OTHERWISE SPECIFIED

	<small>GOULD INC. P.O. BOX 728 WARBLE FALLS, TX 78654</small>		<small>TELEPHONE TO BE APPLIED UNLESS OTHERWISE SPECIFIED: .XXX4-XXXX, .XXX4-0001, .XXX4-0111, .XXX4-0211, .XXX4-0311, .XXX4-0411, .XXX4-0511, .XXX4-0611, .XXX4-0711, .XXX4-0811, .XXX4-0911, .XXX4-1011, .XXX4-1111, .XXX4-1211, .XXX4-1311, .XXX4-1411, .XXX4-1511, .XXX4-1611, .XXX4-1711, .XXX4-1811, .XXX4-1911, .XXX4-2011, .XXX4-2111, .XXX4-2211, .XXX4-2311, .XXX4-2411, .XXX4-2511, .XXX4-2611, .XXX4-2711, .XXX4-2811, .XXX4-2911, .XXX4-3011, .XXX4-3111, .XXX4-3211, .XXX4-3311, .XXX4-3411, .XXX4-3511, .XXX4-3611, .XXX4-3711, .XXX4-3811, .XXX4-3911, .XXX4-4011, .XXX4-4111, .XXX4-4211, .XXX4-4311, .XXX4-4411, .XXX4-4511, .XXX4-4611, .XXX4-4711, .XXX4-4811, .XXX4-4911, .XXX4-5011, .XXX4-5111, .XXX4-5211, .XXX4-5311, .XXX4-5411, .XXX4-5511, .XXX4-5611, .XXX4-5711, .XXX4-5811, .XXX4-5911, .XXX4-6011, .XXX4-6111, .XXX4-6211, .XXX4-6311, .XXX4-6411, .XXX4-6511, .XXX4-6611, .XXX4-6711, .XXX4-6811, .XXX4-6911, .XXX4-7011, .XXX4-7111, .XXX4-7211, .XXX4-7311, .XXX4-7411, .XXX4-7511, .XXX4-7611, .XXX4-7711, .XXX4-7811, .XXX4-7911, .XXX4-8011, .XXX4-8111, .XXX4-8211, .XXX4-8311, .XXX4-8411, .XXX4-8511, .XXX4-8611, .XXX4-8711, .XXX4-8811, .XXX4-8911, .XXX4-9011, .XXX4-9111, .XXX4-9211, .XXX4-9311, .XXX4-9411, .XXX4-9511, .XXX4-9611, .XXX4-9711, .XXX4-9811, .XXX4-9911, .XXX4-0011</small>	
	<small>CIRCUIT PROTECTION DIV.</small>		<small>DATE: 12/92</small>	
<small>DRAWN BY: KDS</small>		<small>DATE: 12/92</small>		
<small>CHECKED BY: GHO</small>		<small>DATE: 12/92</small>		
<small>DESCRIPTION: PDB</small>		<small>SCALE: NONE</small>		
<small>IDENTIFICATION NO. & REVISION: 05B0421</small>		<small>00</small>		