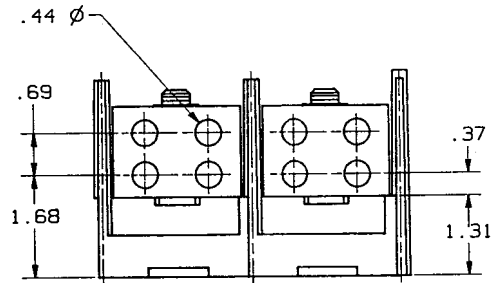
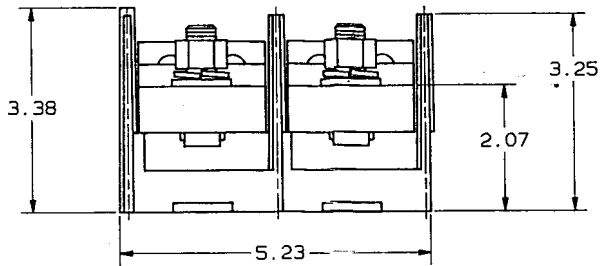
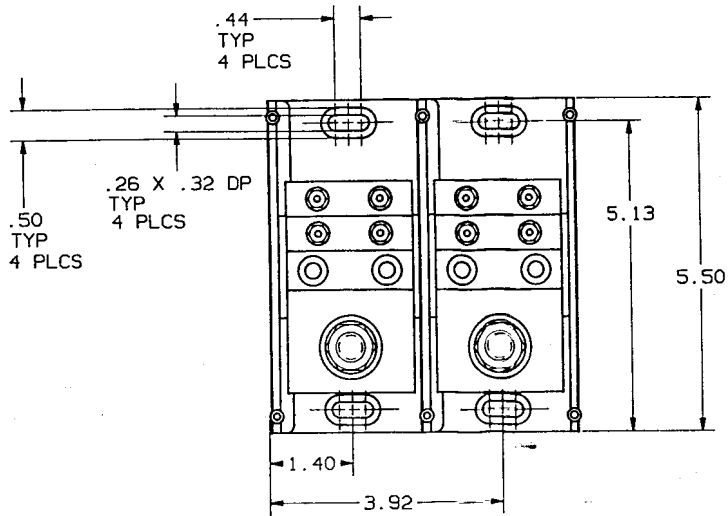


REV	DESCRIPTION	DATE	APPD
0	RELEASED	9/2/92	777



REFERENCE

MAR 16 1992

P/N 68262 (CU ONLY)  
P/N 69262 (CU-AL)

NOTES UNLESS OTHERWISE SPECIFIED - ALL DIMENSIONS ARE IN INCHES - STAMP OR ETCH DES. NO. ON PART - REMOVE ALL BURRS AND SHARP EDGES - TOLERANCES: XXXX+.0005; XXXX-.005; XXX-.01; XX-.04; ANGLES 40°30'		<b>GOULD SHAWMUT</b> GOULD SHAWMUT P. O. BOX 729 MARBLE FALLS, TX 78654	
THIS DRAWING AND ALL INFORMATION THEREON IS THE PROPERTY OF GOULD. IT IS CONFIDENTIAL. MUST NOT BE COPIED OR MADE PUBLIC UNLESS AUTHORIZED AND IS SUBJECT TO RETURN ON DEMAND.		PRODUCT INFO TITLE PDB. (1) 1/2-1 STUD X (4) 2/0- #12. 2 POLE	
ASBY DWS USED ON		SIGNATURE DATE	
REF OR STA DWS		DWS NO REV	
ENGD		SCALE FILE NO	
APPROV MAGONE		3/4 1 of 1	