

REV	DESCRIPTION	DATE	APPD
0	RELEASED	12/22/71	

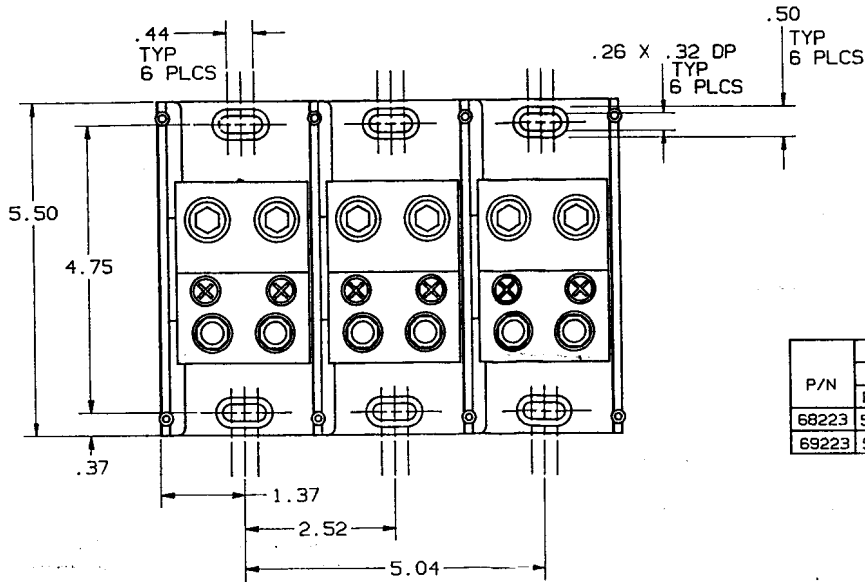
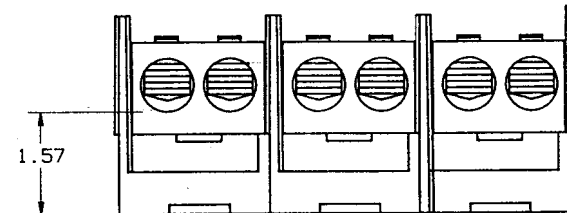
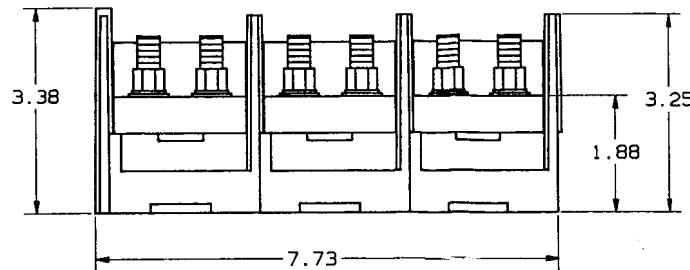


TABLE I

P/N	WIRE RANGE & TORQUE (IN-LBS)						U/L		CSA
	PRIMARY			SECONDARY			FILE NO.	GUIDE NO.	REPORT NO.
	RANGE	TORQUE		RANGE	TORQUE				
68223	500-#4	500-#4	375	3/8-1	3/8-1	228	E73571	XCFR2	LR69363
69223	500-#4	500-#4	500	3/8-1	3/8-1	228	E73571	XCFR2	LR15469



REFERENCE

MAR 16 1992

P/N 68223 (CU ONLY)
P/N 69223 (CU-AL)

1. MATL COMPOSITION AND RATING: BASE-POLYCARBONATE-125°C RTI
CONNECTOR-ALUMINUM OR COPPER ALLOY-TIN PLATED.

NOTES: UNLESS OTHERWISE SPECIFIED

NOTES UNLESS OTHERWISE SPECIFIED - ALL DIMENSIONS ARE IN INCHES - STAMP OR ETCH DIM. NO. ON PART - REMOVE ALL BURRS AND SHARP EDGES - TOLERANCES: XXXX.0005; XXXX.005; XXX.01; XX.04; ANGLES 40°30'		MATERIAL		GOULD SHAWMUT GOULD SHAWMUT P. O. BOX 729 MARBLE FALLS, TX 78654
		FINISH		
THIS DRAWING AND ALL INFORMATION THEREON IS THE PROPERTY OF GOULD. IS CONFIDENTIAL. MUST NOT BE COPIED OR MADE PUBLIC UNLESS AUTHORIZED AND IS SUBJECT TO RETURN ON DEMAND.		SIGNATURES		PRODUCT INFO
ASST. DES. USED BY		DESIGNED DATE		TITLE PDB, (2)500MCM-#4 X (2) 3/8-1 STUD 3 POLE 600V
CHECKED DATE		DRAWN DATE		DWG NO. 05C0290
ENGR. DATE		APPROVED DATE		REV. 00
				SCALE 3/4
				FILE NO. 1 OF 1