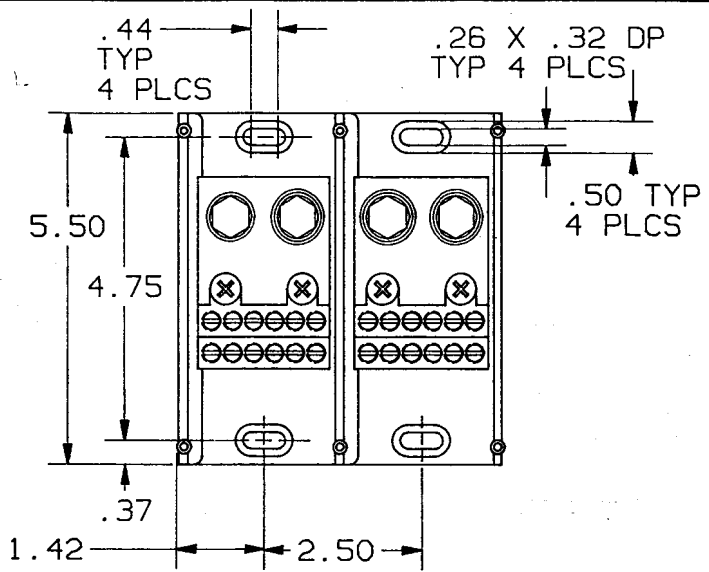
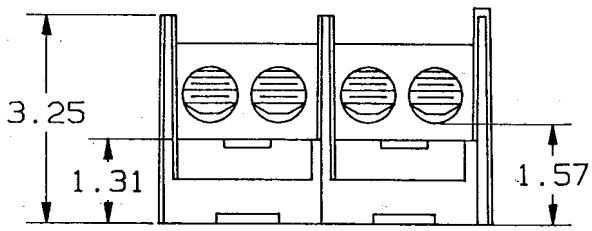
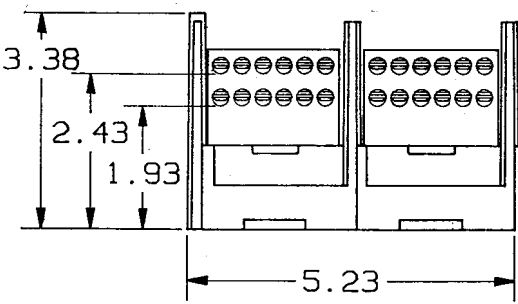


REV	DESCRIPTION	DATE	APPO
00	RELEASED	10/31/91	for



P/N	WIRE RANGE & TORQUE (IN-LBS)				UL	CSA
	PRIMARY		SECONDARY			
	RANGE	TORQUE	RANGE	TORQUE		
68112	500-#4	500-#4	375	#4-#14	#4-#6 45	E73571 LR69363
				#8 40		
				#10-#14 35		
69112	500-#4	500-#4	500	#4-#14	#4-#8 40	E73571 LR15469
				#10-#14 35		



REFERENCE
MAR 16 1992

P/N 68112 (CU ONLY)
P/N 69112 (CU-AL)

1. MATL COMPOSITION AND RATING:
BASE-THERMOPLASTIC-125 °C RTI
CONNECTOR-ALUMINUM OR COPPER
ALLOY-TIN PLATED.

NOTES: UNLESS OTHERWISE SPECIFIED

<p>NOTES UNLESS OTHERWISE SPECIFIED</p> <ul style="list-style-type: none"> - ALL DIMENSIONS ARE IN INCHES - STAMP OR ETCH DWG. NO. ON PART - REMOVE ALL BURRS AND SHARP EDGES - TOLERANCES: XXXX±.0005; XXX±.005; XX±.01; X±.04; X/X±1/32; ANGLES ±0°30' <p>THIS DRAWING AND ALL INFORMATION THEREON IS THE PROPERTY OF GOULD, IS CONFIDENTIAL. MUST NOT BE COPIED OR MADE PUBLIC UNLESS AUTHORIZED AND IS SUBJECT TO RETURN ON DEMAND.</p>		MATERIAL	SEE NOTE 1		<p>GOULD SHAWMUT GOULD SHAWMUT P.O. BOX 729 MARBLE FALLS, TX 78654</p>
		FINISH	N/A		
SIGNATURES		DATE	TITLE		
DRWN	RW	11/91	PDB, (2) 500MCM-#4 X (12) #4-14 2 POLE 600V		
CHKD	GO	11/91	DWG NO	REV	
ENGD			05B0360	00	
APPO	BM	11/91	SCALE	FILE NO	SHEET
			NONE		1 of 1