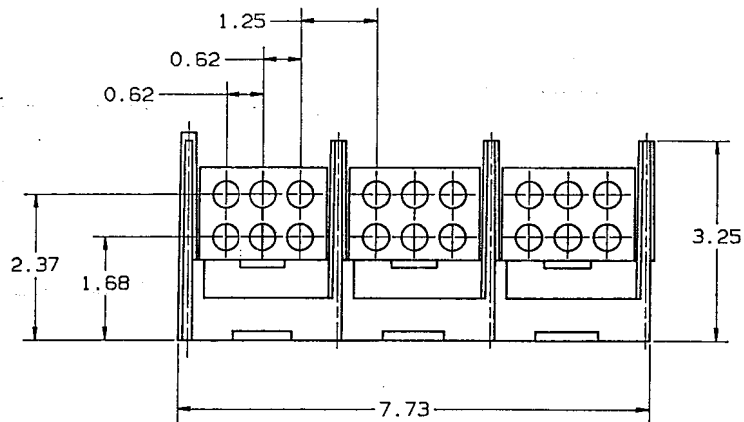
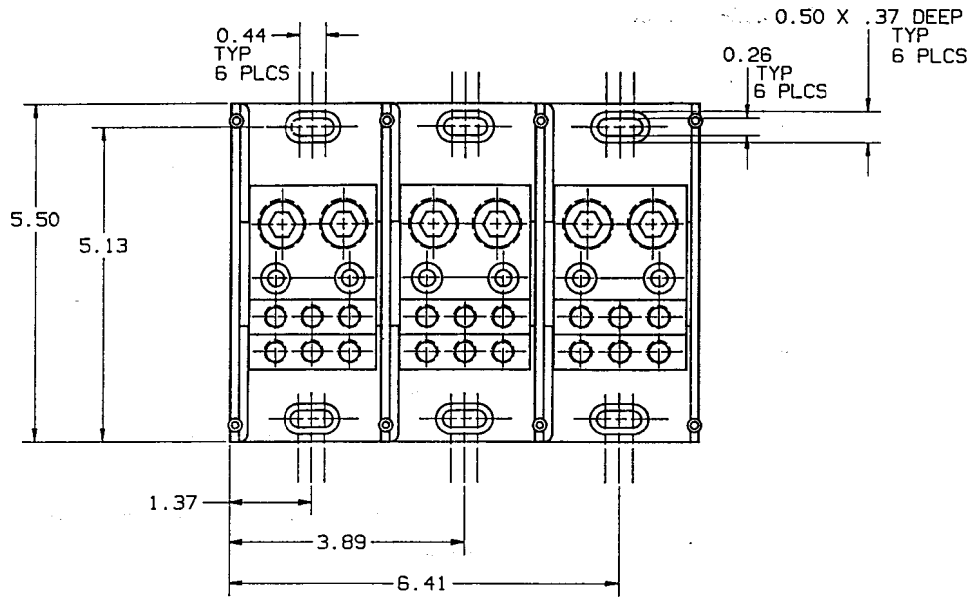


REV	DESCRIPTION	DATE	APPO
0	RELEASED	7/24/97	5/1



REFERENCE
MAR 16 1992

P/N 68103 (CU ONLY)
P/N 69103 (CU-AL)

NOTES UNLESS OTHERWISE SPECIFIED - ALL DIMENSIONS ARE IN INCHES - STAMP OR ETCH DRG. NO. ON PART - REMOVE ALL BURRS AND SHARP EDGES - TOLERANCES: XXXX+.0005; XXXX.005; XXX.01; X+.04; ANGLES 40°30'		MATERIAL		GOULD SHAWMUT GOULD SHAWMUT P. O. BOX 729 MARBLE FALLS, TX 78654	
		FINISH		PRODUCT INFO	
THIS DRAWING AND ALL INFORMATION THEREON IS THE PROPERTY OF GOULD. IS CONFIDENTIAL. MUST NOT BE COPIED OR MADE PUBLIC UNLESS AUTHORIZED AND IS SUBJECT TO RETURN ON DEMAND.		SIGNATURES		TITLE	
DWG BY <i>G. Oakes</i> 9/21/82 CHKD <i>G. Oakes</i> 9/24/82 ENDD APPO <i>M. Page</i> 9/22/82		DATE		PDB, (2) 500 MCM- #4 X (6) 2/0-#12 3 POLE PC 600V	
DRG NO	REV	DWG NO	REV	DWG NO	REV
				05C0248	00
				SCALE	FILE NO
				3/4	
					SHEET 1 of 1