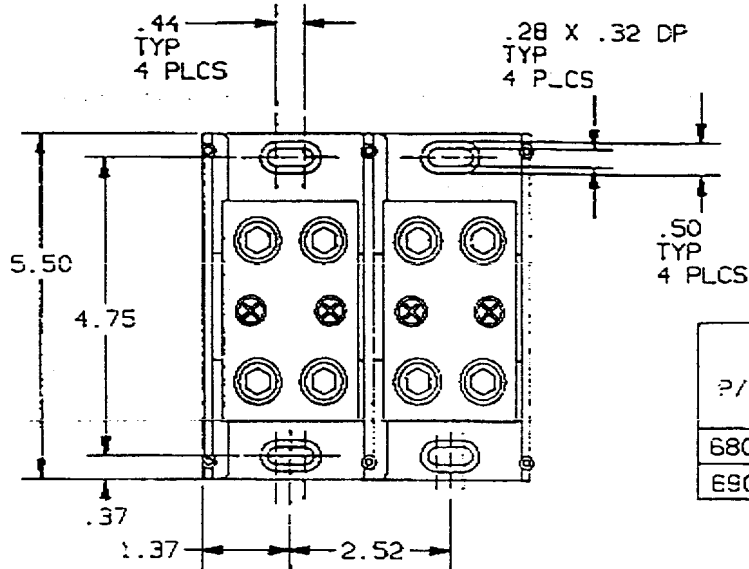


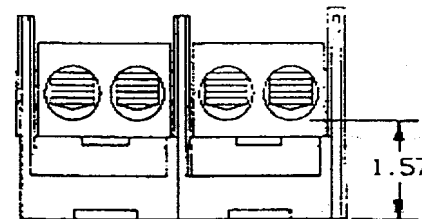
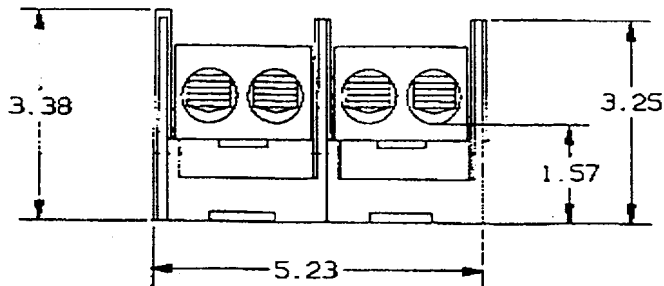
REV	DATE	ECO	DESCRIPTION	BY	CK
00	7/93		RELEASED	GD	DE



P/N	WIRE RANGE & TORQUE (IN-LBS)						UL		CSA
	PRIMARY		SECONDARY				FILE NO.	GUIDE NO.	REPORT NO.
	RANGE	TORQUE	RANGE	TORQUE	RANGE	TORQUE			
68092	500-#4	500-#4 375	500-#4	500-#4 375	500-#4	500-#4 375	E73571	XCFR2	LR69363
69092	500-#4	500-#4 500	500-#4	500-#4 500	500-#4	500-#4 500	E73571	XCFR2	LR15469

**UNCONTROLLED COPY**  
NOT FOR PRODUCTION USE

JUL 6 7 1993



P/N 68092 (CU ONLY)  
69092 (CU-AL)

2. (2) 500 MCM-#4 X (2) 500 MCM-#4

1. MATERIAL COMPOSITION AND RATING:  
BASE - THERMOPLASTIC 125°C RTI  
CONNECTOR - ALUMINUM OR COPPER ALLOY, TIN PLATED

NOTES: UNLESS OTHERWISE SPECIFIED

		<small>TELEPHONE 781 462-1000</small> <small>MAILING ADDRESS: 1000 W. 10th St.,</small> <small>Waltham, MA 01981</small> <small>UNSPECIFIED DIMENSIONS ARE IN INCHES UNLESS OTHERWISE SPECIFIED</small> <small>ALL SURFACES TO BE UNLESS OTHERWISE SPECIFIED</small> <small>BREAK ALL SHARP EDGES</small> <small>THIS DRAWING AND ALL INFORMATION THEREON IS THE PROPERTY OF GOULD INC. AND IS SUBJECT TO RETURN ON DEMAND. THIS INFORMATION IS CONFIDENTIAL AND ALSO NOT BE MADE PUBLIC OR COPIED UNLESS AUTHORIZED.</small>	
DESIGNED BY:	DATE:	SCALE:	REVISION:
KDS	7/93	NONE	
CHECKED BY:	DATE:	SCALE:	REVISION:
AE	7/93	NONE	
DESCRIPTION:		IDENTIFICATION NO. & REVISION:	
PDB, 600V 2 POLE		05B0439 00	