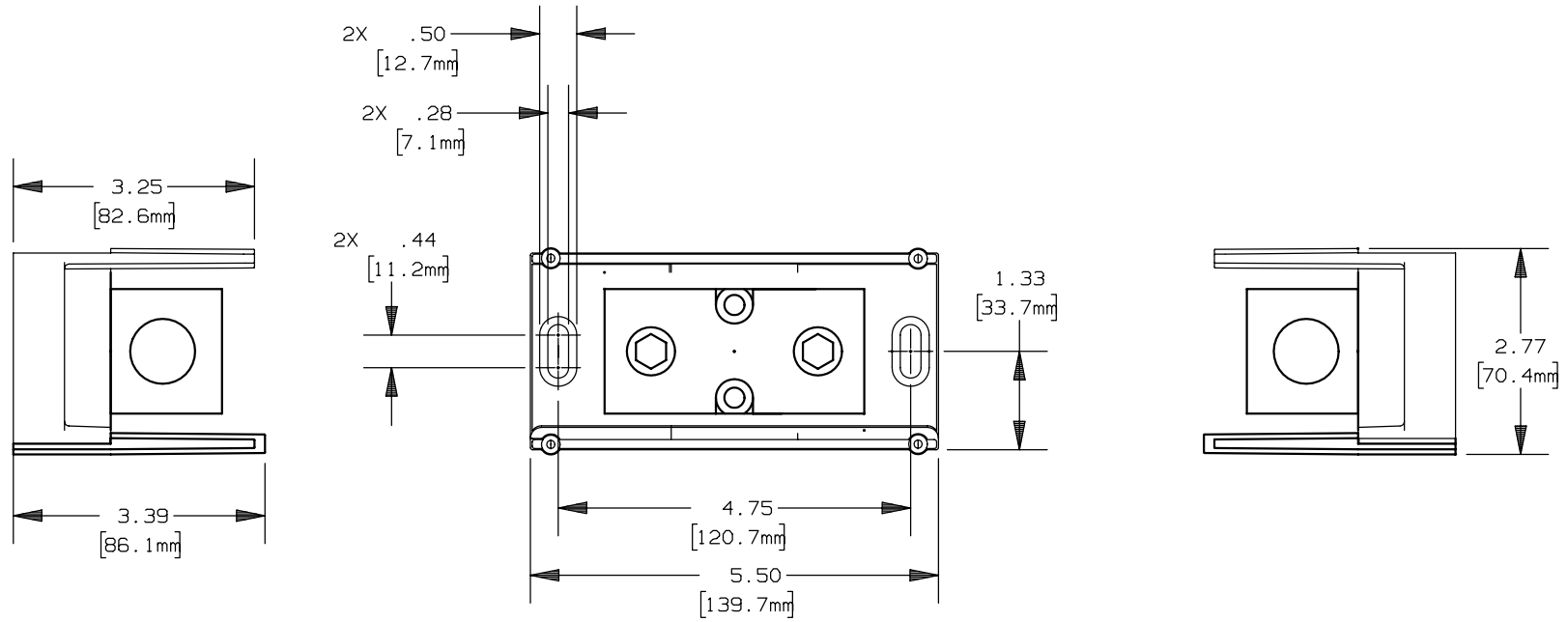


REV	DATE	ECO	DESCRIPTION	BY	CK	APP
-	3/3/05	N/A	INITIAL RELEASE	ELO	N/A	N/A



P/N	CONN. MAT'L.	WIRE RANGE & TORQUE (LBS-IN)				UL		CSA	
		PRIMARY		SECONDARY		FILE #	GUIDE #	FILE #	CLASS
		RANGE	TORQUE	RANGE	TORQUE				
68051	Cu	500-#4	375	500-#4	375	E73571	XCFR2	69363	6228
69051	Al	500-#4	500	500-#4	500	E73571	XCFR2	15469	3211

NOTES:

- MATERIAL COMPOSITION AND RATING:  
BASE: THERMOPLASTIC 125°C RTI  
CONNECTOR: ALUMINUM OR COPPER ALLOY-TIN PLATED
- TOLERANCES ARE ±.01 UNLESS OTHERWISE SPECIFIED.

**Ferraz Shawmut**  
 FERRAZ SHAWMUT INC.  
 374 MERRIMAC STREET  
 NEWBURYPORT, MA 01950

PRODUCT MANAGER	DESIGN ENGINEER
SIGN:	SIGN:
DATE:	DATE:

POWER DISTRIBUTION BLOCK

(1) 500KCMIL-#4  
 X (1) 500KCMIL-#4  
 1 POLE 600V

OUTLINE DIMENSIONS  
 NOT TO BE USED FOR PRODUCTION

701165