

REV	DESCRIPTION	DATE	APPO
0	RELEASED	10/24/70	757

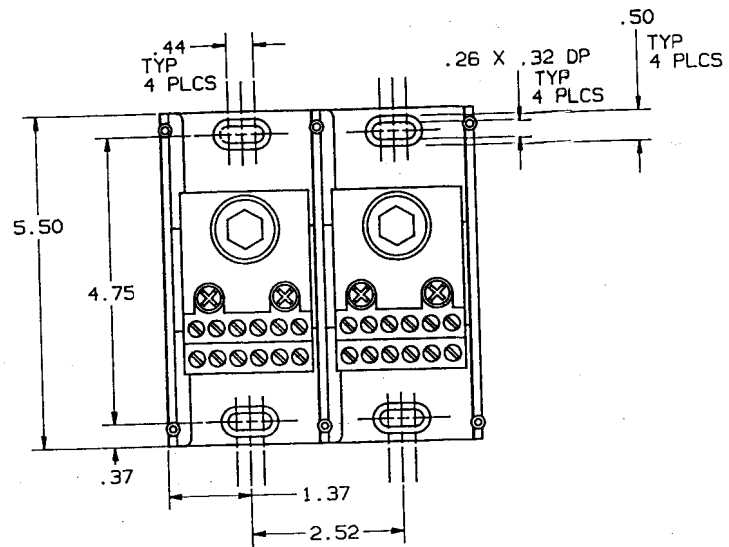
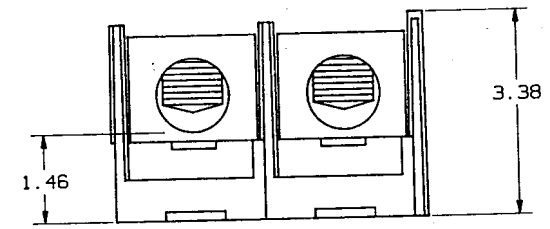
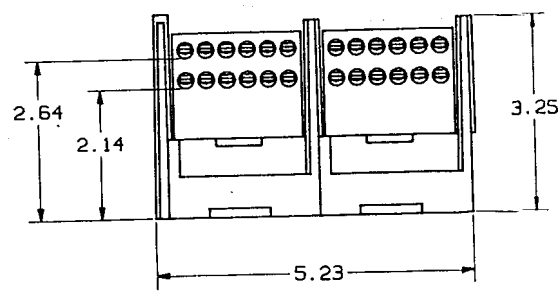


TABLE I

P/N	WIRE RANGE & TORQUE (IN-LBS)				U/L		CSA	
	PRIMARY		SECONDARY		FILE NO	GUIDE NO.	REPORT NO.	
	RANGE	TORQUE	RANGE	TORQUE				
68042	1000-250MCM	1000-250MCM	500	#4-#14	#4-#6 45 #8 40 #10-#14 35	E73571	XCFR2	LR69363
	1000-250MCM	1000-250MCM	780	#4-#14	#4-#8 40 #10-#14 35			
69042	1000-250MCM	1000-250MCM	780	#4-#14	#4-#8 40 #10-#14 35	E73571	XCFR2	LR15469



REFERENCE

MAR 16 1992

P/N 68042 (CU ONLY)  
P/N 69042 (CU-AL)

1. MATL COMPOSITION AND RATING: BASE-POLYCARBONATE-125°C RTI  
CONNECTOR-ALUMINUM OR COPPER ALLOY-TIN PLATED.

NOTES: UNLESS OTHERWISE SPECIFIED

NOTES UNLESS OTHERWISE SPECIFIED - ALL DIMENSIONS ARE IN INCHES - STAMP OR ETCH DAG, NO. ON PART - REMOVE ALL BURRS AND SHARP EDGES - TOLERANCES: .XXX+.0005; .XXX+.005; .XXX+.01; X+.04; ANGLES 40°/30°		MATERIAL		<b>GOULD SHAWMUT</b> GOULD SHAWMUT P. O. BOX 729 MARBLE FALLS, TX 78654	
		FINISH			
THIS DRAWING AND ALL INFORMATION THEREON IS THE PROPERTY OF GOULD. IS CONFIDENTIAL. MUST NOT BE COPIED OR MADE PUBLIC UNLESS AUTHORIZED AND IS SUBJECT TO RETURN ON DEMAND.		SIGNATURES		DATE	
DESIGNED BY <i>G. Williams</i>	REF OR SIM DAG	CHECKED BY <i>G. Williams</i>	DATE <i>8/20/70</i>	PRODUCT INFO TITLE PDB. (1)1000-250MCM X (12) #4-#14 2 POLE 600V	
APP'D <i>M. Maguire</i>	REF OR SIM DAG	CHECKED BY <i>G. Williams</i>	DATE <i>8/20/70</i>	DWG NO 05C0286	REV 00
SCALE		FILE NO		SHEET	
3/4				1 of 1	