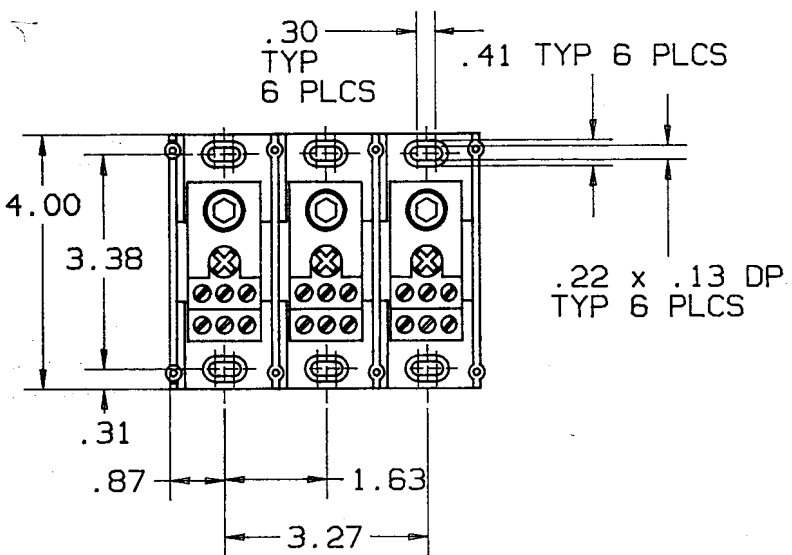
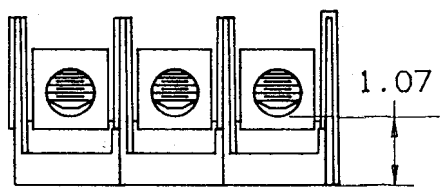
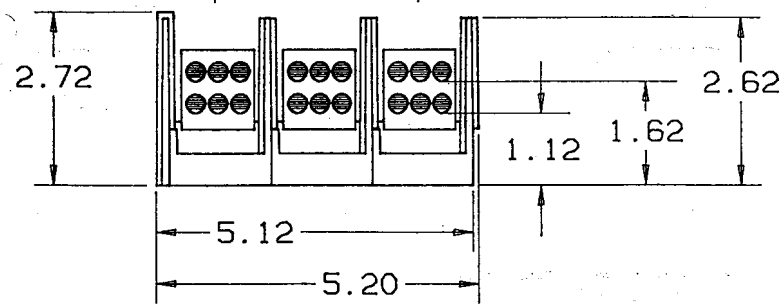


REV	DESCRIPTION	DATE	APPD
00	RELEASED		



P/N	WIRE RANGE & TORQUE (IN-LBS)				UL		CSA REPORT NO.		
	PRIMARY		SECONDARY		FILE NO.	GUIDE NO.			
	RANGE	TORQUE	RANGE	TORQUE					
66663	350-#6	350-#6	275	#2-#14	#2-#3	50	E73571	XCFR2	LR69363
					#4-#6	35			
					#8	25			
					#10-#14	20			
67663	350-#6	350-#6	275	#2-#14	#2-#3	50	E73571	XCFR2	LR15469
					#4-#6	35			
					#8	25			
					#10-#14	20			



REFERENCE  
MAR 16 1992

P/N 66663 (CU ONLY)  
P/N 67663 (CU-AL)

1. MATL COMPOSITION AND RATING:  
BASE-THERMOPLASTIC-125 °C RTI  
CONNECTOR-ALUMINUM OR COPPER  
ALLOY-TIN PLATED.

NOTES:UNLESS OTHERWISE SPECIFIED

<b>NOTES UNLESS OTHERWISE SPECIFIED</b> - ALL DIMENSIONS ARE IN INCHES - STAMP OR ETCH DWG. NO. ON PART - REMOVE ALL BURRS AND SHARP EDGES - TOLERANCES: XXXX±.0005; XXX±.005; XX±.01; X±.04; X/X±1/32; ANGLES ±0°30'			MATERIAL		<b>GOULD SHAWMUT</b> GOULD SHAWMUT P.O. BOX 729 MARBLE FALLS, TX 78654					
			FINISH		PRODUCT INFO		TITLE			
THIS DRAWING AND ALL INFORMATION THEREON IS THE PROPERTY OF GOULD. IS CONFIDENTIAL. MUST NOT BE COPIED OR MADE PUBLIC UNLESS AUTHORIZED AND IS SUBJECT TO RETURN ON DEMAND.			SIGNATURES		DATE					
<table border="1"> <thead> <tr> <th>ASSY DWG USED ON</th> <th>REF OR SIM DWG</th> </tr> </thead> <tbody> <tr> <td> </td> <td> </td> </tr> </tbody> </table>			ASSY DWG USED ON	REF OR SIM DWG			DRWN CHCK <i>G. Carney</i>		DATE 9/16/91	
ASSY DWG USED ON	REF OR SIM DWG									
			ENGR		DWG NO <b>05B0340</b>					
			APPD <i>M. Longene</i>		REV <b>00</b>					
					SCALE <b>NONE</b>					
					FILE NO SHEET <b>1 of 1</b>					