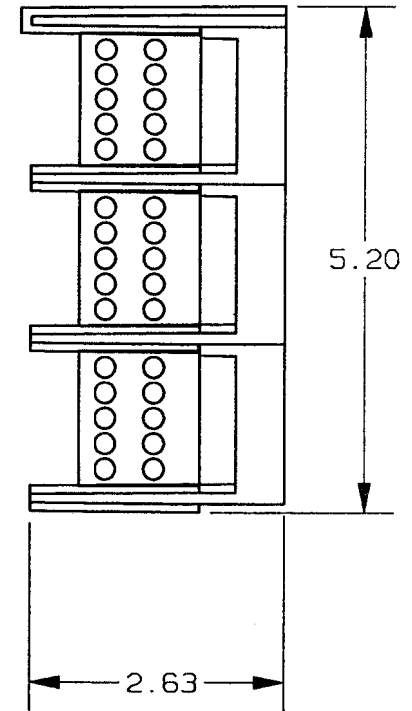
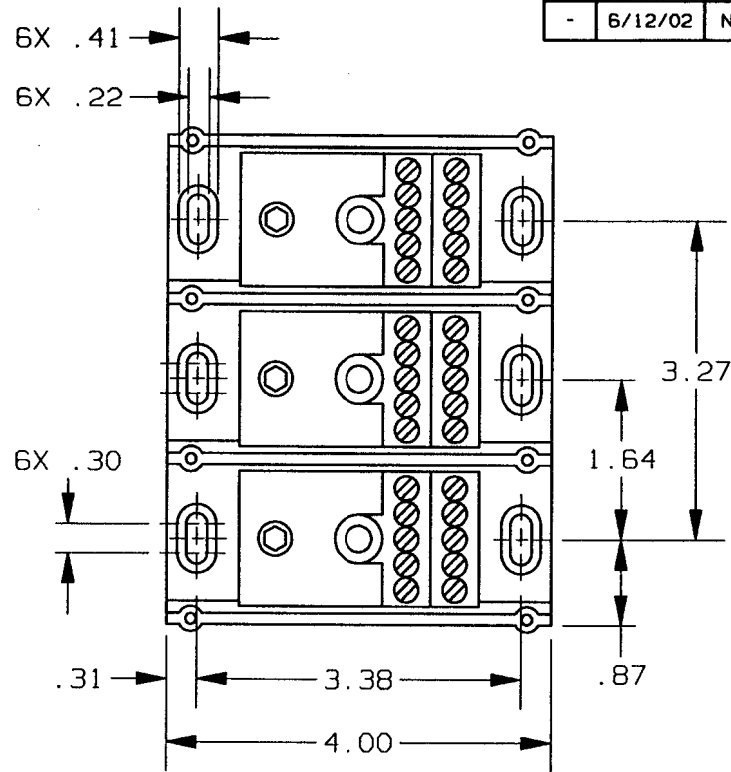
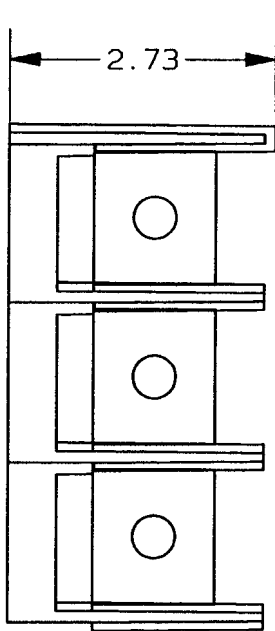


REV	DATE	ECO	DESCRIPTION	BY	CK	APP
-	6/12/02	N/A	INITIAL RELEASE	LASIN	A/N/A	A/N/A



P/N	CONN. MAT'L.	WIRE RANGE & TORQUE (LBS-IN)				UL		CSA	
		PRIMARY		SECONDARY		FILE #	GUIDE #	FILE #	CLASS
		RANGE	TORQUE	RANGE	TORQUE				
66593	Cu	2/0-#14	2/0-#3 50 #4-#6 45 #8 40 #10-#14 35	#6-#14	#6 35 #8 25 #10-#14 20	E73571	XCFR2	69363	6228
67593	Al	2/0-#14	2/0-#6 120 #8-#14 50	#6-#14	#6 35 #8 25 #10-#14 20	E73571	XCFR2	15469	3211

NOTES:

- MATERIAL COMPOSITION AND RATING:  
BASE: THERMOPLASTIC 125°C RTI  
CONNECTOR: ALUMINUM OR COPPER ALLOY-TIN PLATED
- TOLERANCES ARE ±.01 UNLESS OTHERWISE SPECIFIED.

P/N 66593 (CU ONLY)  
67593 (CU-AL)

**Ferraz Shawmut**  
FERRAZ SHAWMUT INC.  
374 MERRIMAC STREET  
NEWBURYPORT, MA 01950

POWER DISTRIBUTION BLOCK

OUTLINE DIMENSIONS  
NOT TO BE USED FOR PRODUCTION

PRODUCT MANAGER  
SIGN: *Nick*  
DATE: 6-12-02

DESIGN ENGINEER  
SIGN: *Jm*  
DATE: 6/12/02

(1) 2/0-#14 X (10) #6-#14  
3 POLE 600V

700845