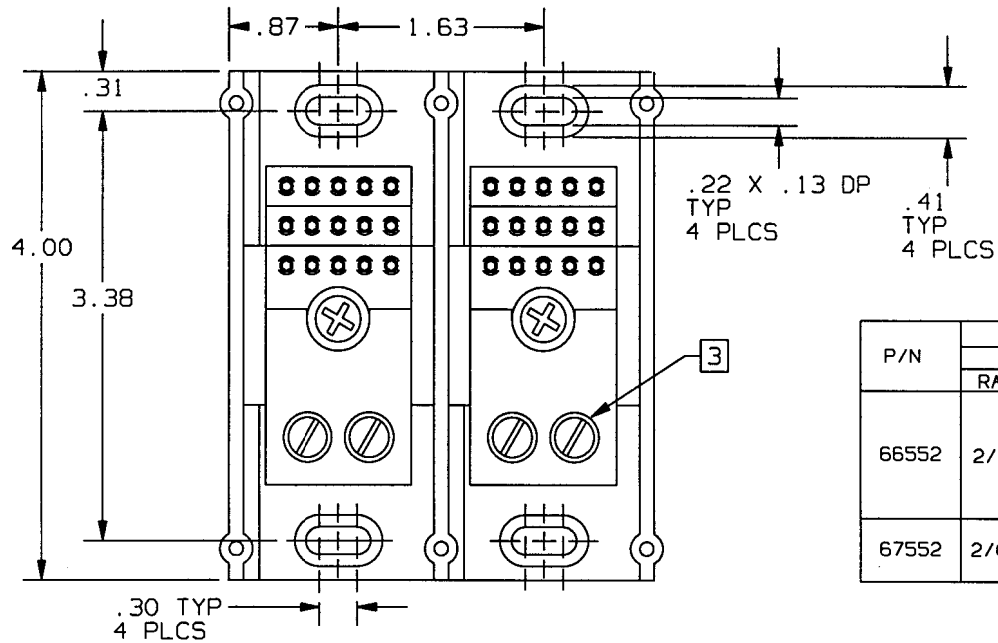
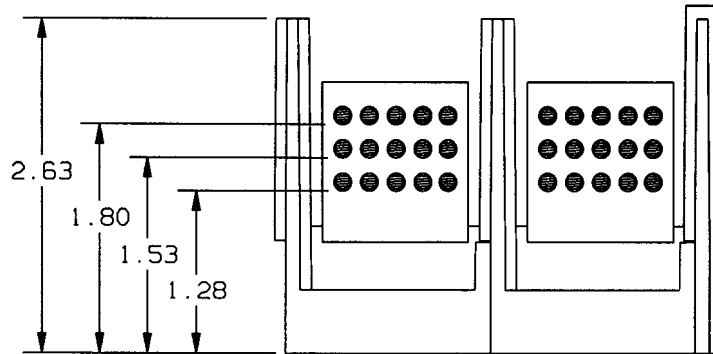
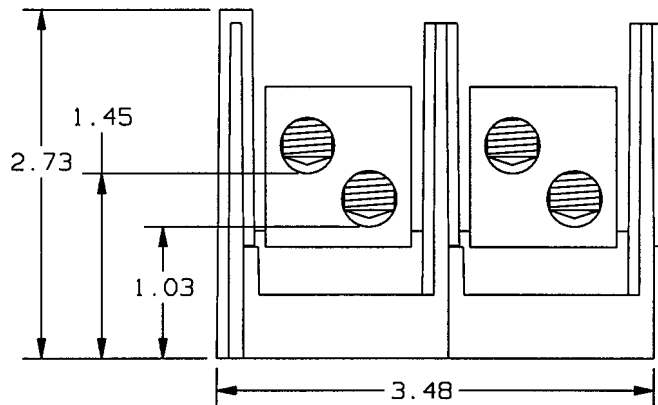


REV	DATE	ECO	DESCRIPTION	BY	CK
00	7/93		RELEASED		

UNCONTROLLED
COPY
MAY 14 1997



P/N	WIRE RANGE & TORQUE (IN-LBS)				UL		CSA	
	PRIMARY		SECONDARY		FILE #	GUIDE #	REPORT #	
	RANGE	TORQUE	RANGE	TORQUE				
66552	2/0-#14	2/0-#3	50	#10-#14	#10-#14 15	E73571	XCFR2	LR69363
		#4-#6	45					
		#8	40					
		#10-#14	35					
67552	2/0-#14	2/0-#6	120	#10-#14	#10-#14 15	E73571	XCFR2	LR15469
		#8-#14	50					



P/N 66552 (CU ONLY)
67552 (CU-AL)

- [3] 66552 USES 3/8-24 SLOTTED SET SCREW
67552 USES 7/16-20 HEX SET SCREW
- (2) 2/0 X (15) #10, 2 POLE, 600V.
 - MATERIAL COMPOSITION AND RATING:
BASE: THERMOPLASTIC 125°C RTI
CONNECTOR: ALUMINUM OR COPPER ALLOY-TIN PLATED

NOTES: UNLESS OTHERWISE SPECIFIED

		<small>TOLERANCE TO BE APPLIED UNLESS OTHERWISE SPECIFIED: .XXX±.0005; .XXX±.005; .XX±.01; .X±.02; .XX±.03</small> <small>UNSPECIFIED ANGLES±1°, SPECIFIED ANGLES±0°30'</small> <small>DIMENSIONS APPLY AFTER PLATING</small> <small>ALL SURFACES TO BE 125° UNLESS OTHERWISE SPECIFIED</small> <small>BREAK ALL SHARP EDGES</small> <small>THIS DRAWING AND ALL INFORMATION THEREON IS THE PROPERTY OF GOULD INC. AND IS SUBJECT TO RETURN ON DEMAND. THIS INFORMATION IS CONFIDENTIAL AND MUST NOT BE MADE PUBLIC OR COPIED UNLESS AUTHORIZED.</small>	
<small>DROWN BY:</small> KDS	<small>DATE:</small> 7/93	<small>INIT. REL.:</small> 	
<small>CHECKED BY:</small> AE	<small>DATE:</small> 7/93	<small>SCALE:</small> NONE	<small>REFDOC:</small>
<small>DESCRIPTION:</small> PDB, (2)2/0 X (15)#10		<small>IDENTIFICATION NO. & REVISION:</small> 05B0440 00	