

REV	DESCRIPTION	DATE	APPO
0	RELEASED	11/10/01	PJ1

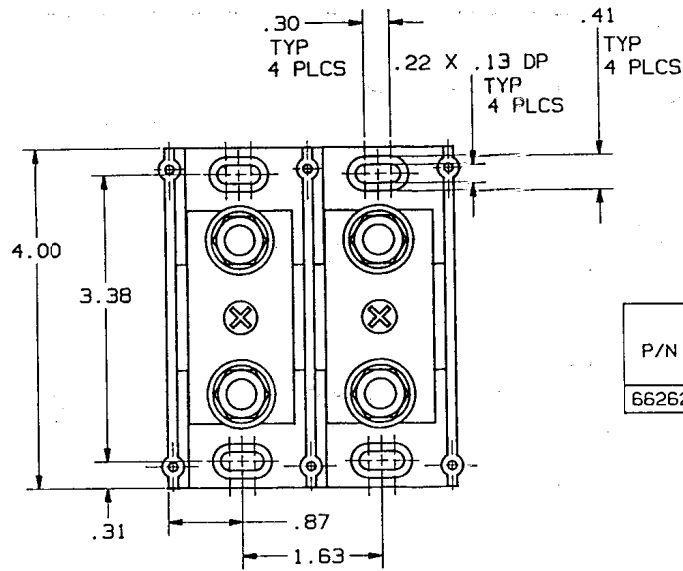
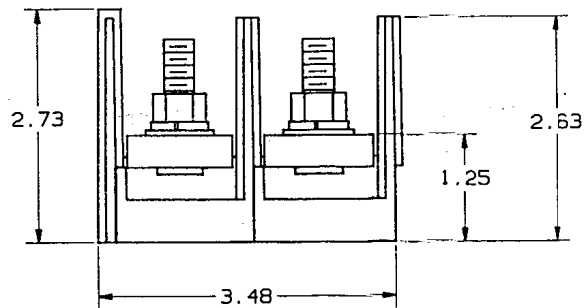


TABLE I

P/N	WIRE RANGE & TORQUE (IN-LBS)				U/L		CSA
	PRIMARY		SECONDARY		FILE NO.	GUIDE NO.	REPORT NO.
	RANGE	TORQUE	RANGE	TORQUE			
66262	3/8-1 1/8	228	3/8-1 1/8	228	E73571	XCFR2	LR69363



REFERENCE

MAR 16 1992

P/N 66262 (CU ONLY)

1. MATL COMPOSITION AND RATING: BASE-POLYCARBONATE-125°C RTI
CONNECTOR-COPPER ALLOY-TIN PLATED.

NOTES: UNLESS OTHERWISE SPECIFIED

<p>NOTES UNLESS OTHERWISE SPECIFIED</p> <ul style="list-style-type: none"> - ALL DIMENSIONS ARE IN INCHES - STAMP OR ETCH DAG. NO. ON PART - REMOVE ALL BURRS AND SHARP EDGES - TOLERANCES: XXXX+.005; XXXX-.005; XX+.01; XX-.04; ANGLES 40°/30° <p>THIS DRAWING AND ALL INFORMATION THEREON IS THE PROPERTY OF GOULD, IS CONFIDENTIAL, MUST NOT BE COPIED OR MADE PUBLIC UNLESS AUTHORIZED AND IS SUBJECT TO RETURN ON DEMAND.</p>		<p>MATERIAL</p>		<p>GOULD SHAWMUT GOULD SHAWMUT P. O. BOX 729 HARBLE FALLS, TX 78654</p>	
<p>FINISH</p>		<p>SIGNATURES</p>		<p>DATE</p>	
<p>DRWG: <i>Swilburg</i></p>		<p>DATE: <i>7/1/92</i></p>		<p>PRODUCT INFO</p>	
<p>ENGRD</p>		<p>APPO: <i>Bj Borgon</i></p>		<p>TITLE</p> <p>PDB, (1)3/8-1 1/8 STUD X (1)3/8-1 1/8 STUD 2 POLE 600V</p>	
<p>ASST DAG</p>		<p>REF OR 3TH DAG</p>		<p>DWG NO</p> <p>05C0305</p>	
<p>SCALE</p> <p>1/1</p>		<p>FILE NO</p>		<p>REV</p> <p>00</p>	
<p>SHEET</p> <p>1 of 1</p>					