

REV	DESCRIPTION	DATE	APPO
0	RELEASED		

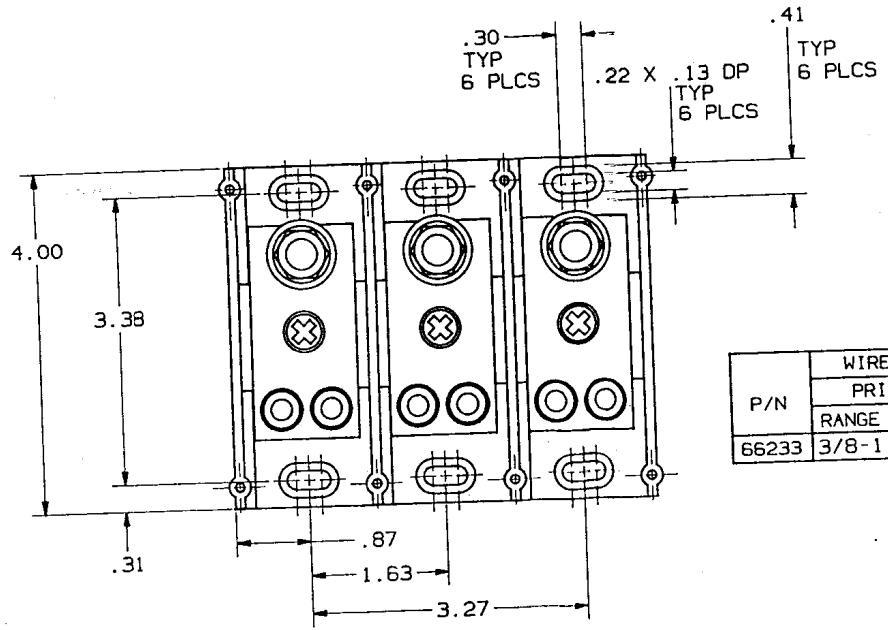
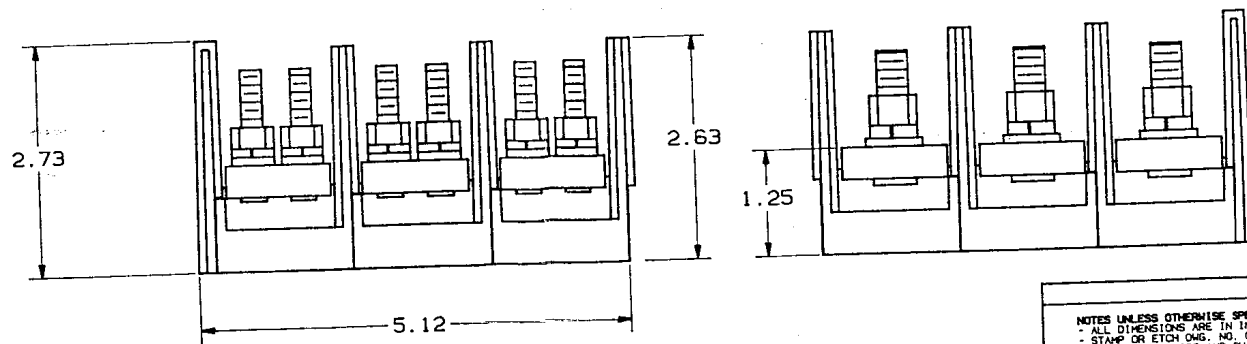


TABLE I

P/N	WIRE RANGE & TORQUE (IN-LBS)				U/L		CSA
	PRIMARY		SECONDARY		FILE NO.	GUIDE NO.	REPORT NO.
	RANGE	TORQUE	RANGE	TORQUE			
66233	3/8-1	228	1/4-1 1/8	72	E73571	XCFR2	LR69363



REFERENCE  
MAR 16 1992

P/N 66233 (CU ONLY)

1. MATL COMPOSITION AND RATING: BASE-POLYCARBONATE-125°C RTI  
CONNECTOR-ALUMINUM OR COPPER ALLOY-TIN PLATED.

NOTES: UNLESS OTHERWISE SPECIFIED

NOTES UNLESS OTHERWISE SPECIFIED - ALL DIMENSIONS ARE IN INCHES - STAMP OR ETCH DWG. NO. ON PART - REMOVE ALL BURRS AND SHARP EDGES - TOLERANCES: .XXXx.0005; .XXXx.005; .XXx.01; Xx.04; ANGLES 40°30'		MATERIAL FINISH		<b>GOULD SHAWMUT</b> GOULD SHAWMUT P. O. BOX 729 MARBLE FALLS, TX 78654	
THIS DRAWING AND ALL INFORMATION THEREON IS THE PROPERTY OF GOULD. IS CONFIDENTIAL. MUST NOT BE COPIED OR MADE PUBLIC UNLESS AUTHORIZED AND IS SUBJECT TO RETURN ON DEMAND.		PRODUCT INFO TITLE PDB. (1)3/8-1 1/8 STUD X (2)1/4-1 1/8 STUD 3 POLE 600V		DWG NO 05C0310	
ASBY Dwg USED ON		REF OR SITH Dwg		SIGNATURES DATE 9/1/92	
CH-KC		ENGD		REV 00	
APPO D. J. [Signature] 12/12		SCALE 1/1		FILE NO SHEET 1 of 1	