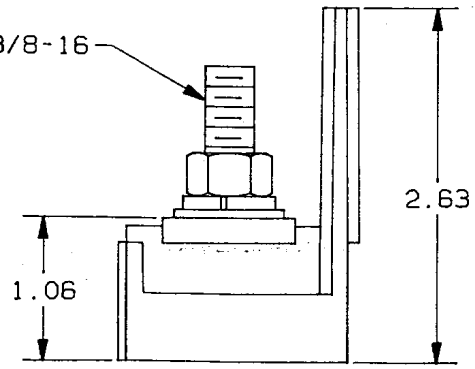


REV	DATE	EDD	DESCRIPTION	BY	CK
00	8/92		RELEASED	FD	CKO

P/N	WIRE RANGE & TORQUE (IN-LBS)				U/L		CSA
	PRIMARY		SECONDARY		FILE #	GUIDE #	REPORT #
	RANGE	TORQUE	RANGE	TORQUE			
66200	3/8" STUD	228	3/8" STUD	228	E73571	XCFR2	LR69363



2. (1)3/8-16 X 1 1/2 X (1)3/8-16 X 1 1/2 ADDER, 600V.
1. MATL COMPOSITION AND RATING:
BASE-THERMOPLASTIC-125°C RTI
CONNECTOR-COPPER ALLOY-TIN PLATED.

NOTES: UNLESS OTHERWISE SPECIFIED

REFERENCE

AUG 17 1992

P/N 66200 (CU ONLY)

		<small>GOULD INC. P.O. BOX 728 HARLE FALLS, TX 78864</small>		<small>TOLERANCE TO BE APPLIED UNLESS OTHERWISE SPECIFIED: .0004, .0005, .0006, .0007, .004, .011, .04, .02: 1/2X1/32 UNSPECIFIED ANGLES 90°, SPECIFIED ANGLES 90° 30' DIMENSIONS APPLY AFTER PLATING ALL SURFACES TO BE 125° UNLESS OTHERWISE SPECIFIED</small>	
<small>DRAWN BY:</small> KDS	<small>DATE:</small> 8/92	<small>INTY. NCL.</small> 92-094	<small>BREAK ALL SHARP EDGES THIS DRAWING AND ALL INFORMATION THEREON IS THE PROPERTY OF GOULD INC. AND IS SUBJECT TO RETURN ON DEMAND. THIS INFORMATION IS CONFIDENTIAL AND MUST NOT BE MADE PUBLIC OR COPIED UNLESS AUTHORIZED.</small>		
<small>CHECKED BY:</small> GHO	<small>DATE:</small> 8/92	<small>SCALE:</small> NONE	<small>REFDOC: -</small>		
<small>DESCRIPTION</small> PDB, 3/8 X 3/8 ADDER			<small>IDENTIFICATION NO. & REVISION</small> 05B0406		