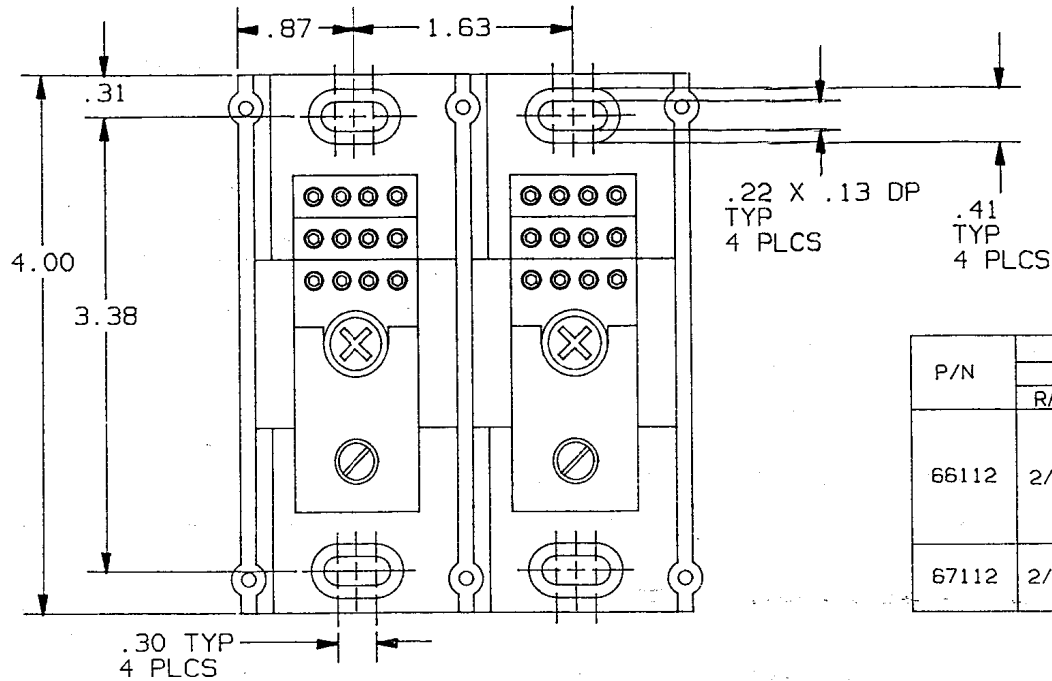
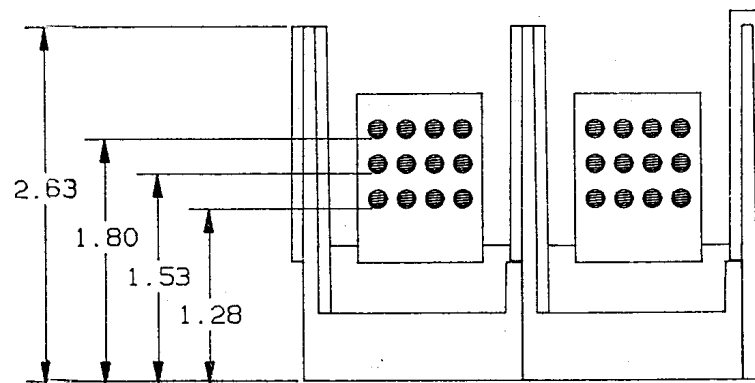
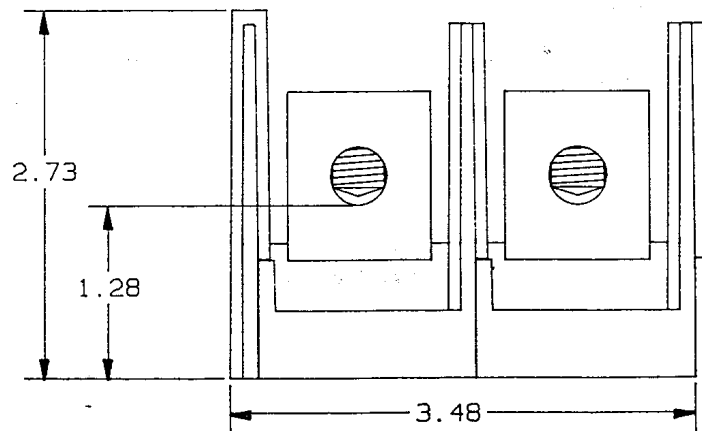


REV	DATE	ECO	DESCRIPTION	BY	CK
00	3/93		RELEASED		
01	9/93	1215	REV UL CERT.	W. GO	



P/N	WIRE RANGE & TORQUE (IN-LBS)				UL		CSA
	PRIMARY		SECONDARY		FILE #	GUIDE #	REPORT #
	RANGE	TORQUE	RANGE	TORQUE			
66112	2/0-#14	2/0-#3	50	#10-#14	#10-#14 15		
		#4-#6	45				
		#8	40				
		#10-#14	35				
67112	2/0-#14	2/0-#6	120	#10-#14	#10-#14 15	E73571	XCFR2
		#8-#14	50				



CONTROLLED BY
Newburyport
OCT 20 1993

P/N 66112 (CU ONLY)
67112 (CU-AL)

- 66112 USES 3/8-24 SLOTTED SET SCREW
67112 USES 7/16-20 HEX SET SCREW
- (1) 2/0 X (12) #10, 2 POLE, 600V.
- MATERIAL COMPOSITION AND RATING:
BASE: THERMOPLASTIC 125°C RTI
CONNECTOR: ALUMINUM OR COPPER ALLOY-TIN PLATED

NOTES: UNLESS OTHERWISE SPECIFIED

GOULD GOLD INC. P.O. BOX 728 MARBLE FALLS, TX 78054		TOLERANCE TO BE APPLIED UNLESS OTHERWISE SPECIFIED: .0004, .0005, .0004, .005, .004, .01, .04, .02, 1/32, 1/16, 1/8	
CIRCUIT PROTECTION DIV.		UNSPECIFIED ANGLES 45°	
DRAWN BY:	DATE:	INIT.	REL.
KDS	3/93		
CHECKED BY:	DATE:	SCALE:	
GHO	3/93	NONE	
DESCRIPTION	IDENTIFICATION NO. & REVISION		
PDB, (1) 2/0 X (12) #10	05B0428		01