

REV	DESCRIPTION	DATE	APPD
0	RELEASED	4/24/80	CD
01	REVISED PER ECO 90-023	9/23/81	PH

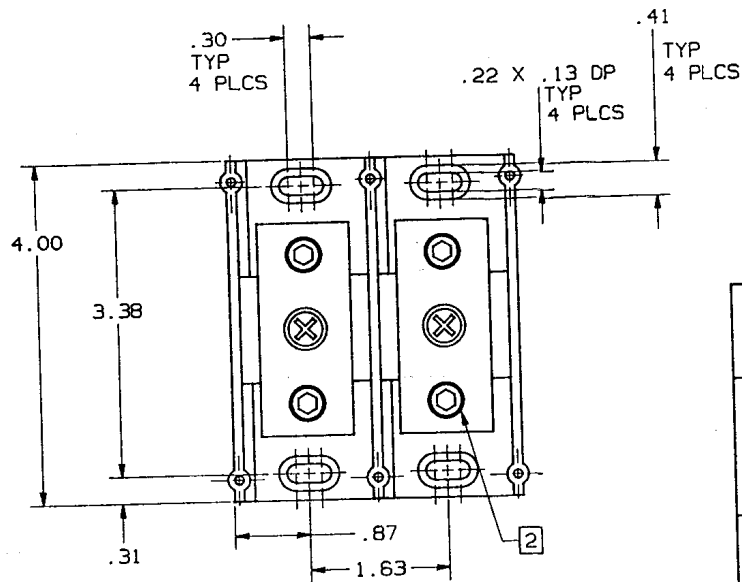
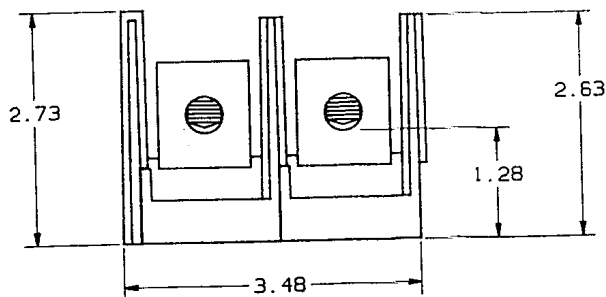


TABLE I

P/N	WIRE RANGE & TORQUE (IN-LBS)				U/L		CSA		
	PRIMARY		SECONDARY		FILE NO.	GUIDE NO.	REPORT NO.		
	RANGE	TORQUE	RANGE	TORQUE					
66052	2/0-#12	2/0-#3	50	2/0-#12	2/0-#3	E73571	XCFR2	LR69363	
		#4-#6	45		#4-#6				45
		#8	40		#8				40
		#10-#12	35		#10-#12				35
67052	2/0-#12	2/0-#6	120	2/0-#12	2/0-#6	E73571	XCFR2	LR15469	
		#8-#12	50		#8-#12				50



REFERENCE
MAR 16 1992

P/N 66052 (CU ONLY)
P/N 67052 (CU-AL)

2 P/N 66052 USES SLOTTED SET SCREW
P/N 67052 USES HEX SET SCREW.

1. MATL COMPOSITION AND RATING: BASE-POLYCARBONATE-125°C RTI
CONNECTOR-ALUMINUM OR COPPER ALLOY-TIN PLATED.

NOTES: UNLESS OTHERWISE SPECIFIED

NOTES UNLESS OTHERWISE SPECIFIED		MATERIAL		GOULD SHAWMUT	
- ALL DIMENSIONS ARE IN INCHES - STAMP OR ETCH DMS. NO. ON PART - REMOVE ALL BURRS AND SHARP EDGES - TOLERANCES: XXXXX.0005; XXXX.005; XX.X.01; X.X.04; ANGLES 40°-30°		FINISH		GOULD SHAWMUT P. O. BOX 729 MARBLE FALLS, TX 78654	
THIS DRAWING AND ALL INFORMATION THEREON IS THE PROPERTY OF GOULD. IS CONFIDENTIAL. MUST NOT BE COPIED OR MADE PUBLIC UNLESS AUTHORIZED AND IS SUBJECT TO RETURN ON DEMAND.		SIGNATURES		PRODUCT INFO	
DRAWN <i>C. Williams</i>		DATE <i>9/27/81</i>		TITLE	
CHECKED <i>G. Quirey</i>		ENG'D <i>9/27/81</i>		PDB. (1)2/0-#12 X (1)2/0-#12 2 POLE 600V	
APP'D <i>D. Williams</i>		ENG'D <i>9/27/81</i>		DWG NO 05C0274	
ASBY DMS USED ON		REF OR STM DMS		REV 01	
				SCALE 1/1	
				FILE NO 1 of 1	