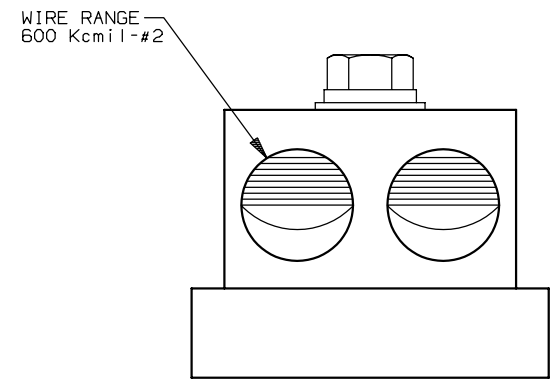
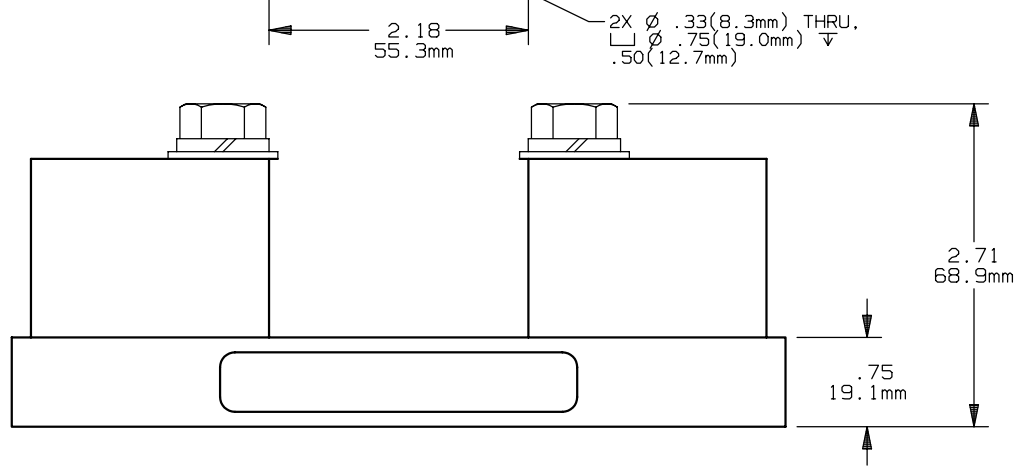
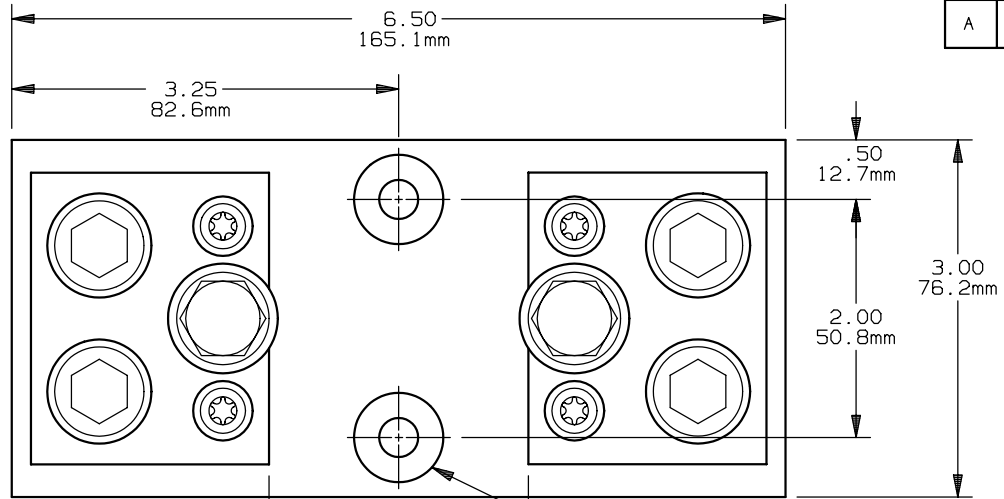


REV	DATE	ECO	DESCRIPTION	BY	CK	APP
A	3-17-08	N/A	UPDATED OUTLINE FORMAT AND DIMENSIONS	LDB	N/A	N/A



2X \varnothing .33 (8.3mm) THRU.
 \varnothing .75 (19.0mm) ∇
 \varnothing .50 (12.7mm)

WIRE RANGE
 600 Kcmil - #2

NOTES:

1. UNLESS OTHERWISE SPECIFIED, MATERIAL COMPOSITION AND RATING: BASE - THERMOSET 150°C RTI, CONNECTOR-ALUMINUM, TIN PLATED.

P/N	FUSE CLASS	RMS SYM RATING	TORQUE (IN-LBS)	CONNECTOR TYPE	WIRE		UL		CSA
					°C	TYPE	FILE NO.	GUIDE NO.	REPORT NO.
66031T	T	200K	600	BOX	75	CU-AL	E52283	IZLT	LR32169

Ferraz Shawmut
 FERRAZ SHAWMUT INC.,
 374 MERRIMAC STREET
 NEWBURYPORT, MA 01950

PRODUCT MANAGER DESIGN ENGINEER

SIGN: SIGN:
 DATE: DATE:

FUSE, BLOCK 600V-600A
 CLASS T
 1 POLE

OUTLINE DIMENSIONS
 NOT TO BE USED FOR PRODUCTION

700058