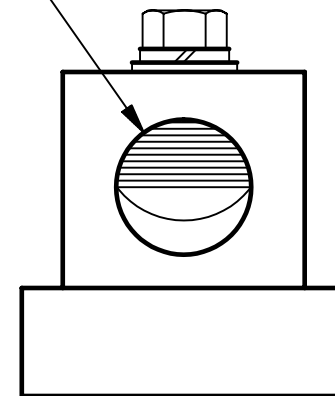
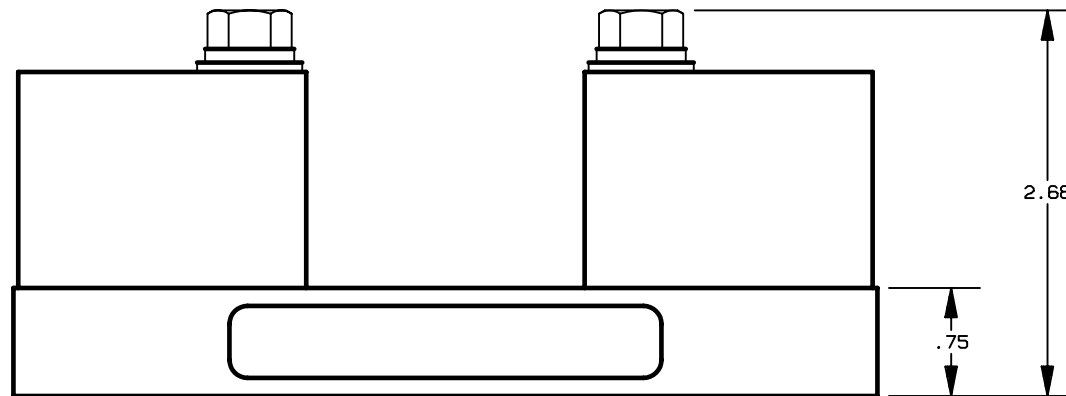
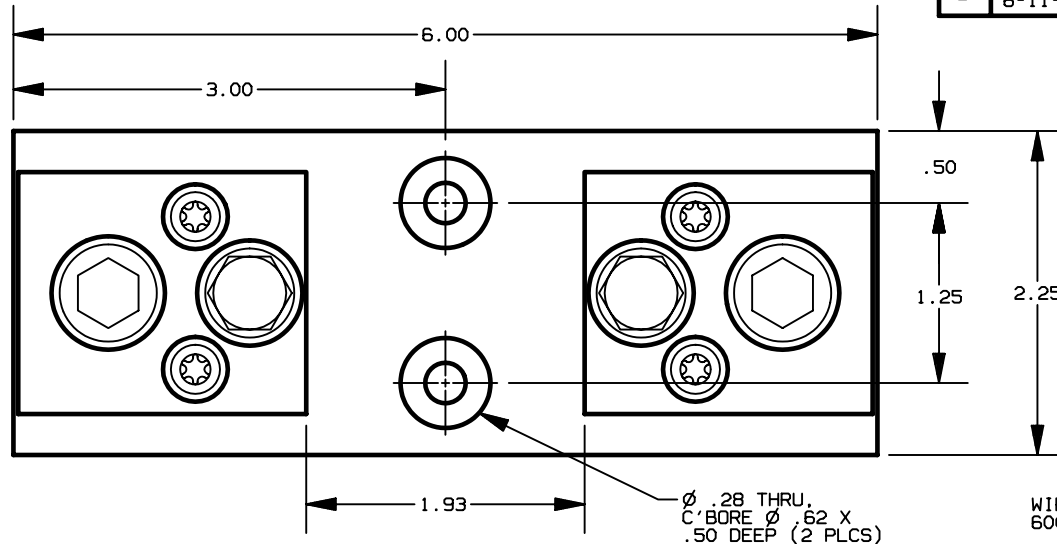


CONTROL No: 9129

REV	DATE	ECO	DESCRIPTION	BY	CK	APP
-	6-11-97	N/A	INIT RELEASE	DBG	N/A	N/A



NOTES:

1. UNLESS OTHERWISE SPECIFIED MATERIAL COMPOSITION AND RATING:  
 BASE - THERMOSET 150°C RTI  
 CONNECTOR-COPPER, TIN PLATED.

P/N	FUSE CLASS	RMS SYM RATING	TORQUE (IN-LBS)	CONNECTOR TYPE	WIRE		UL		CSA
					°C	TYPE	FILE NO.	GUIDE NO.	REPORT NO.
64051T	T	200K	375	BOX	75	CU ONLY	E52283	IZLT	LR32169

**Ferraz Shawmut**  
 FERRAZ SHAWMUT INC.  
 374 MERRIMAC STREET  
 NEWBURYPORT, MA 01950

PRODUCT MANAGER

DESIGN ENGINEER

SIGN:  
 DATE:

SIGN:  
 DATE:

FUSE, BLOCK 600V-400A  
 CLASS T  
 1 POLE

OUTLINE DIMENSIONS  
 NOT TO BE USED FOR PRODUCTION

700263