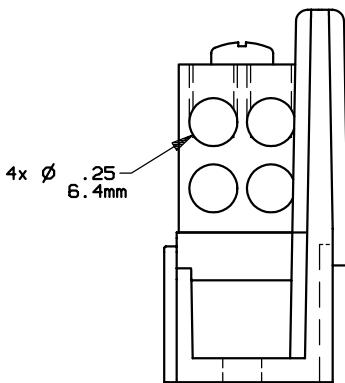
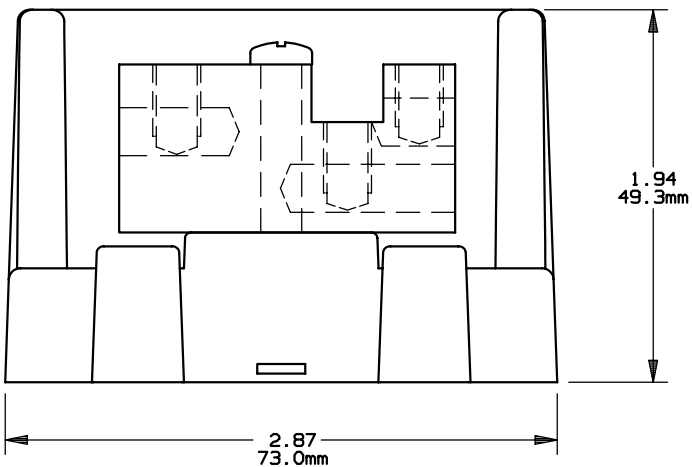
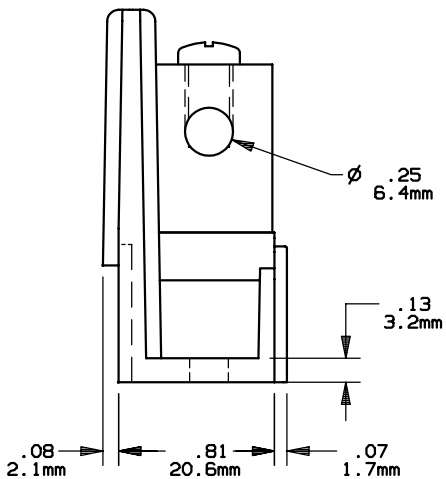
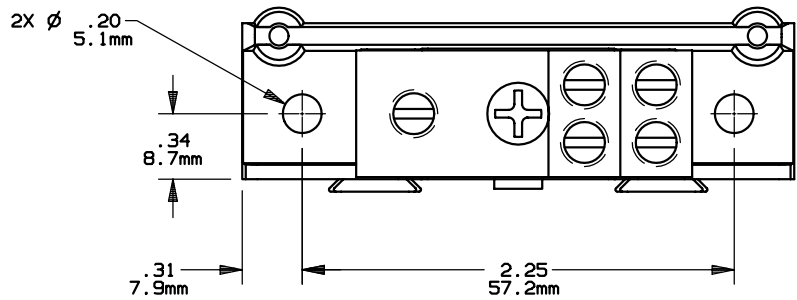


REV	DATE	ECO	DESCRIPTION	BY	CK	APP
-	6-27-08	NA	INITIAL RELEASE	LDB	NA	NA



Ferraz Shawmut

FERRAZ SHAWMUT INC.
374 MERRIMAC STREET
NEWBURYPORT, MA 01950

PRODUCT MANAGER

DESIGN ENGINEER

SIGN:

SIGN:

DATE:

DATE:

63160

POWER DISTRIBUTION BLOCK ADDER

(1)#4 X (4)#4 ALUMINUM

OUTLINE DIMENSIONS
NOT TO BE USED FOR PRODUCTION

701443