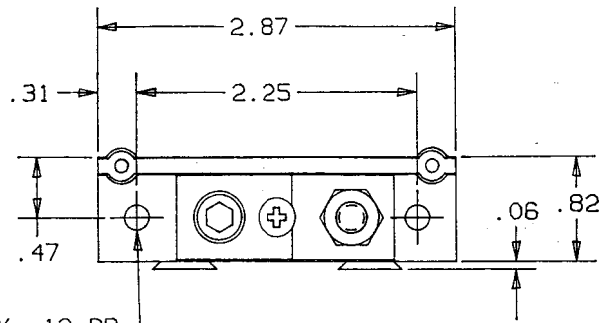
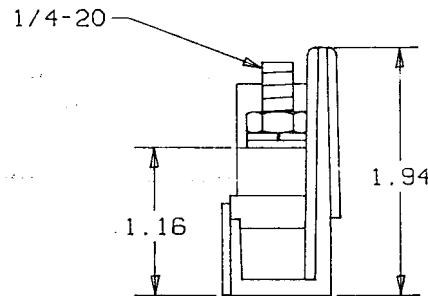
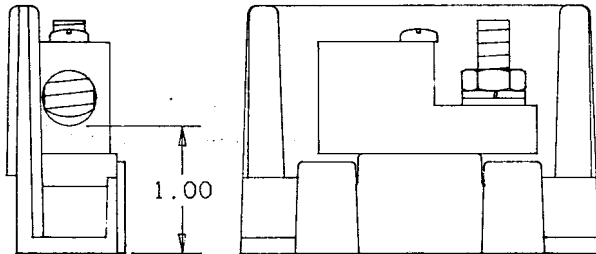


| REV | DATE | ECO | DESCRIPTION | BY | CK |
|-----|------|-----|------------------|----|----|
| 00 | 8/92 | | RELEASED PER ECO | PJ | GO |



Ø .20 X .12 DP
TYP 2 PLCS

| P/N | WIRE RANGE & TORQUE (IN-LBS) | | | | U/L | | CSA |
|-------|------------------------------|-------------------------|-----------|--------|--------|---------|----------|
| | PRIMARY | | SECONDARY | | FILE # | GUIDE # | REPORT # |
| | RANGE | TORQUE | RANGE | TORQUE | | | |
| 63140 | 2/0-#14 | 2/0-#6 120 #8-#14 50 | 1/4 STUD | 72 | E73571 | XCFR2 | LR69363 |



REFERENCE

AUG 17 1992

P/N 63140 (CU-AL)

2. (1)2/0-#14 X (1)1/4-20 X 5/8 ADDER, 600V.

1. MATERIAL COMPOSITION AND RATING:
BASE-THERMOPLASTIC 125°C RTI.
CONNECTOR-ALUMINUM W/TIN PLATING.

NOTES: UNLESS OTHERWISE SPECIFIED

| | | | |
|--|------------|--|--------|
| GOULD GOLD INC. P.O. BOX 739 WAXALE FALLS, TX 78654 | | TOLERANCE TO BE APPLIED UNLESS OTHERWISE SPECIFIED: .0004, .00051, .0004, .0051, .004, .011, .04, .021, 1/32, 1/16, 1/8 UNLESS OTHERWISE SPECIFIED | |
| CIRCUIT PROTECTION DIV. | | ALL SURFACES TO BE 125 UNLESS OTHERWISE SPECIFIED | |
| DRAWN BY: KDS | DATE: 7/92 | INIT. REL.: | 92-093 |
| CHECKED BY: GHO | DATE: 8/92 | SCALE: | NONE |
| DESCRIPTION: PDB, 1/4 X 2/0 ADDER | | IDENTIFICATION NO. & REVISION: 05B0405 | |