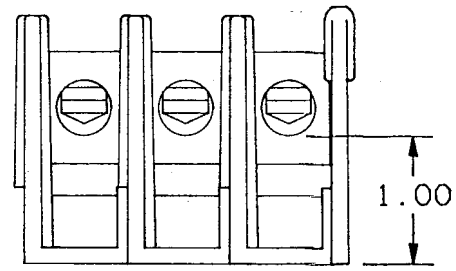
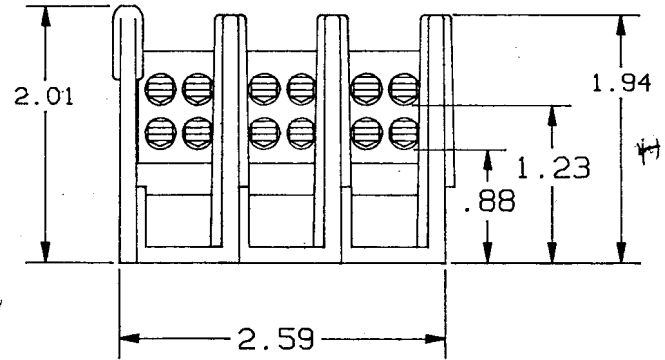


REV	DESCRIPTION	DATE	APPD
01	REVISED PER ECO 91-051	11/91	BM

P/N	WIRE RANGE & TORQUE (IN-LBS)				U/L		CSA
	PRIMARY		SECONDARY		FILE NO.	GUIDE NO.	REPORT NO.
	RANGE	TORQUE	RANGE	TORQUE			
62133	2/0-#14	2/0-#3	50	#4-#14	#4-#6	35	E73571 XCFR2 LR69363
		#4-#6	45		#8	25	
		#8	40		#10-#14	20	
		#10-#14	35				
63133	2/0-#14	2/0-#6	120	#4-#14	#4-#6	35	E73571 XCFR2 LR69363
		#8-#14	50		#8	25	
					#10-#14	20	



REFERENCE

MAR 16 1992

P/N 62133 (CU ONLY)

P/N 63133 (CU-AL)

2 P/N 62133 USES SLOTTED SET SCREW
P/N 63133 USES HEX SET SCREW.

1. MATL COMPOSITION AND RATING:
BASE-THERMOPLASTIC-125°C RTI
CONNECTOR-ALUMINUM OR COPPER
ALLOY-TIN PLATED.
NOTES: UNLESS OTHERWISE SPECIFIED

NOTES UNLESS OTHERWISE SPECIFIED - ALL DIMENSIONS ARE IN INCHES - STAMP OR ETCH DWG. NO. ON PART - REMOVE ALL BURRS AND SHARP EDGES - TOLERANCES: XXXX±.0005; XXX±.005; XX±.01; X±.04; X/X±1/32; ANGLES ±0°30'		MATERIAL SEE NOTE 1		GOULD SHAWMUT GOULD SHAWMUT P.O. BOX 729 MARBLE FALLS, TX 78654	
		FINISH N/A			
THIS DRAWING AND ALL INFORMATION THEREON IS THE PROPERTY OF GOULD, IS CONFIDENTIAL. MUST NOT BE COPIED OR MADE PUBLIC UNLESS AUTHORIZED AND IS SUBJECT TO RETURN ON DEMAND.		SIGNATURES		TITLE	
		DATE		PDB, (1)2/0-#14X (4)#4-14 3 POLE 600V	
ASSY DWG USED ON	REF OR SIB DWG	DRWN CW	DATE 11/90	DWG NO 05B0365	REV 01
		CHKD GO	DATE 11/90	SCALE NONE	FILE NO SHEET 1 of 1
		ENGD			
		APPD BM	DATE 11/90		