

REV	DESCRIPTION	DATE	APPO
0	RELEASED		9/1/82 P17

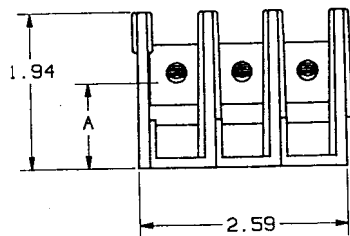
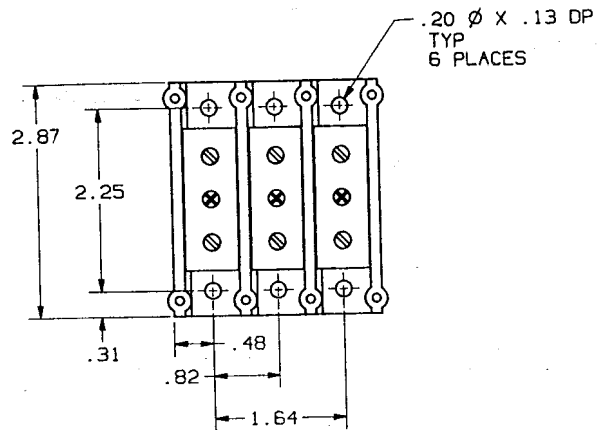


TABLE I

P/N	WIRE RANGE & TORQUE (IN-LBS)				U/L		CSA	A
	PRIMARY		SECONDARY		FILE NO.	GUIDE NO.		
	RANGE	TORQUE	RANGE	TORQUE			REPORT NO.	
62103	#4-#14	#4-#6	35	#4-#14	#4-#6	35	LR69363	.90
		#8	25		#8	25		
		#10-#14	20		#10-#14	20		
63103	#4-#14	#4-#6	35	#4-#14	#4-#6	35	LR69363	1.07
		#8	25		#8	25		
		#10-#14	20		#10-#14	20		

REFERENCE  
MAR 16 1992

P/N 62103 (CU ONLY)  
P/N 63103 (CU-AL)

1. MATL COMPOSITION AND RATING: BASE-POLYCARBONATE-125°C RTI  
CONNECTOR-ALUMINUM OR COPPER ALLOY-TIN PLATED.  
NOTES: UNLESS OTHERWISE SPECIFIED

NOTES UNLESS OTHERWISE SPECIFIED - ALL DIMENSIONS ARE IN INCHES - STAMP OR ETCH DIM. NO. ON PART - REMOVE ALL BURRS AND SHARP EDGES - TOLERANCES: XXXX+.005; XXXX-.005; XX+.01; X+.04; ANGLES 40°30'		MATERIAL FINISH		<b>GOULD SHAWMUT</b> GOULD SHAWMUT P. O. BOX 729 HARBLE FALLS, TX 78654	
THIS DRAWING AND ALL INFORMATION THEREON IS THE PROPERTY OF GOULD. IS CONFIDENTIAL. MUST NOT BE COPIED OR MADE PUBLIC UNLESS AUTHORIZED AND IS SUBJECT TO RETURN ON DEMAND.		SIGNATURES DRN G. [Signature] 10/1/82 ENGR G. [Signature] 10/1/82 APPO [Signature] 10/1/82		PRODUCT INFO TITLE PDB, (1)#4-#14 X (1)#4-#14 3 POLE 600V DWG NO 05C0315 REV 00	
ASST DSG USED ON	REF OR 3TH DWG	SCALE NONE	FILE NO	SHEET 1 of 1	