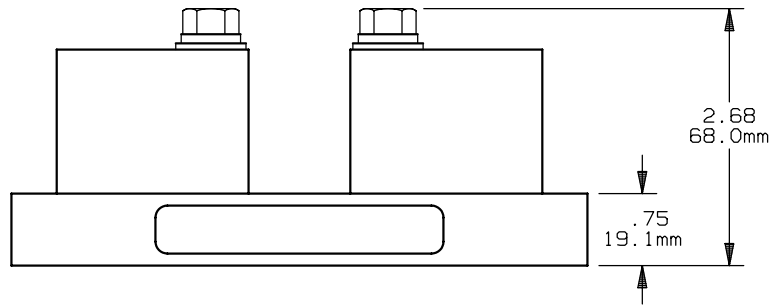
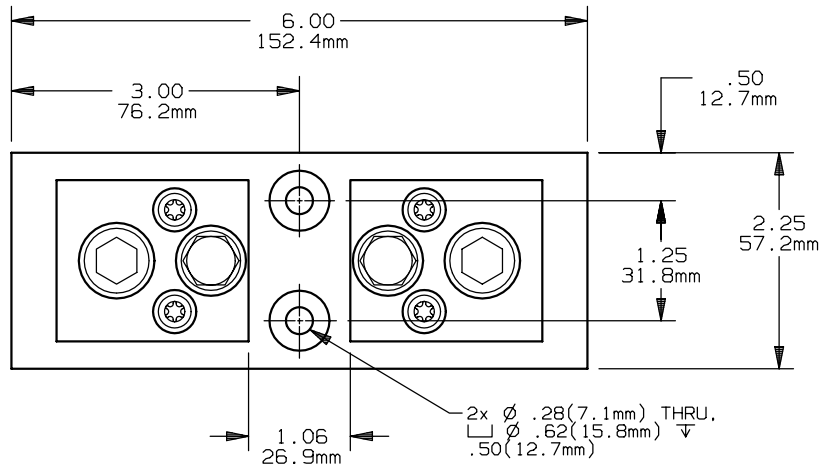
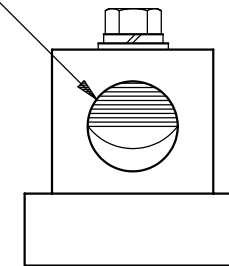


| REV | DATE | ECO | DESCRIPTION | BY | CK | APP |
|-----|---------|-----|---------------------------------------|-----|-----|-----|
| A | 3-17-08 | N/A | UPDATED OUTLINE FORMAT AND DIMENSIONS | LDB | N/A | N/A |



WIRE RANGE
600 Kcmil-#2



NOTES:

1. UNLESS OTHERWISE SPECIFIED, MATERIAL COMPOSITION AND RATING: BASE - THERMOSET 150°C RTI, CONNECTOR-ALUMINUM, TIN PLATED.

| P/N | FUSE CLASS | RMS SYM RATING | TORQUE (IN-LBS) | CONNECTOR TYPE | WIRE | | UL | | CSA |
|--------|------------|----------------|-----------------|----------------|------|-------|----------|-----------|------------|
| | | | | | °C | TYPE | FILE NO. | GUIDE NO. | REPORT NO. |
| 34031T | T | 200K | 600 | BOX | 75 | CU-AL | E52283 | IZLT | LR32169 |

Ferraz Shawmut
 FERRAZ SHAWMUT INC.
 374 MERRIMAC STREET
 NEWBURYPORT, MA 01950

PRODUCT MANAGER DESIGN ENGINEER

SIGN: SIGN:
 DATE: DATE:

FUSE, BLOCK 300V-400A
 CLASS T
 1 POLE

OUTLINE DIMENSIONS
 NOT TO BE USED FOR PRODUCTION

700054