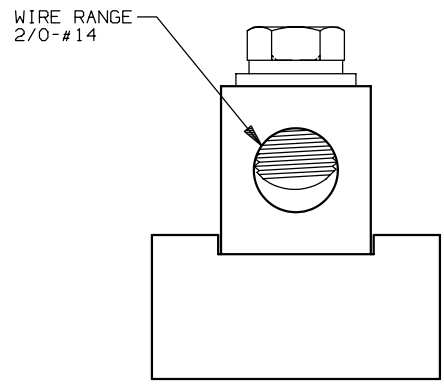
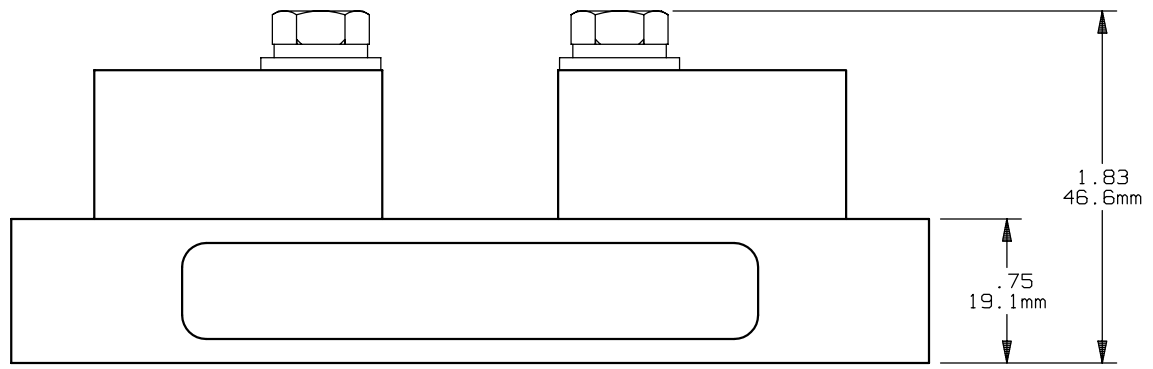
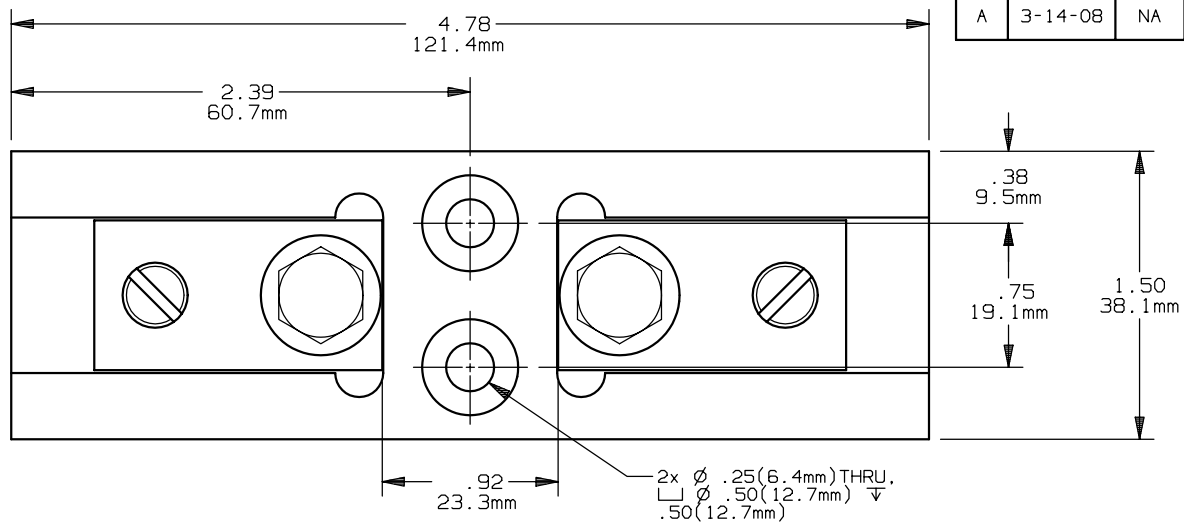


REV	DATE	ECO	DESCRIPTION	BY	CK	APP
A	3-14-08	NA	UPDATED OUTLINE FORMAT AND DIMENSIONS	LDB	NA	NA



NOTES:  
1. UNLESS OTHERWISE SPECIFIED MATERIAL COMPOSITION AND RATING:  
BASE - THERMOSET 150°C RTI  
CONNECTOR-COPPER, TIN PLATED.

P/N	FUSE CLASS	RMS SYM RATING	TORQUE (IN-LBS)	CONNECTOR TYPE	WIRE		UL		CSA
					°C	TYPE	FILE NO.	GUIDE NO.	REPORT NO.
31001T	T	200K	50	BOX	75	CU ONLY	E52283	IZLT	LR32169

**Ferraz Shawmut**  
 FERRAZ SHAWMUT INC.  
 374 MERRIMAC STREET  
 NEWBURYPORT, MA 01950

PRODUCT MANAGER      DESIGN ENGINEER

SIGN:                                  SIGN:  
 DATE:                                  DATE:

FUSE, BLOCK 300V-100A  
 CLASS T  
 1 POLE

OUTLINE DIMENSIONS  
 NOT TO BE USED FOR PRODUCTION

700052